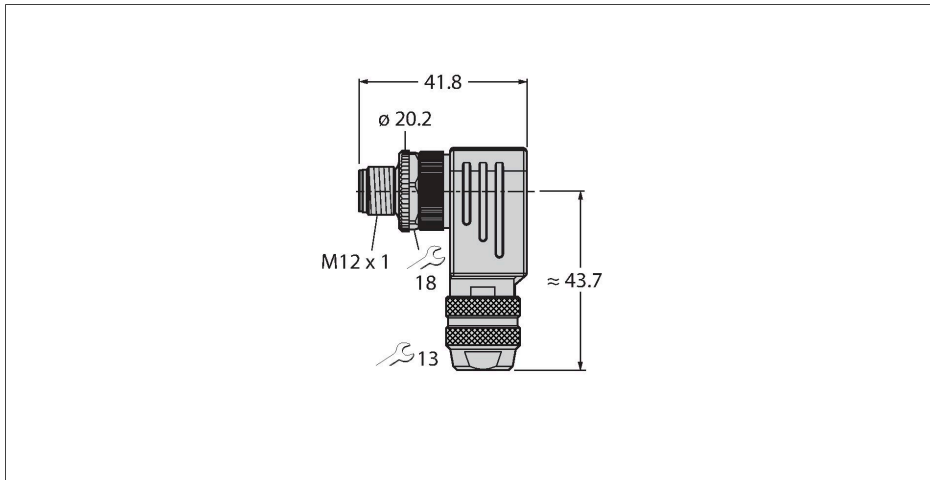


BMSWS8251-8.5

Accessories for Fieldbus Systems – Field-Wireable Connector

Male Connector M12 × 1, Angled

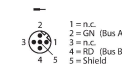


Features



- For use in PROFIBUS-DP applications
- Up to 12 Mbps
- Shielding via iris spring connection
- B-coding
- Metal housing
- Screw-clamp terminal
- 5-pin
- M18 × 1 metric screw-in thread
- Cable diameter 6.0...8.5 mm

Contact assignment



Pin Assignment

Technical data

Type	BMSWS8251-8.5
ID	6904724
Connector A	Male, M12 × 1, Angled, B-code
Number of contacts	5
Contacts	CuZn, Gold-plated
Contact carriers	Plastic, PA, Black
Connector body	Brass, CuZn, nickel-plated, Black
Coupling nut	Die-cast Zinc, GD-Zn, Nickel-plated
Connector seal	Plastic
Mounting thread	M18 × 1
Acceptable cable diameter	6...8.5 mm
Core cross-section/Clamping ability	0.14...0.75 mm ²
Connection mode	Screw/clamp connection
Mechanical life	> 100 Mating cycles
Protection class (When coupled)	IP67, (screwed together)
Fieldbus	PROFIBUS-DP
Shield	yes
Electrical properties at +20 °C	
Rated voltage	125 V
Current	4 A
Insulation resistance	≥ 10 ⁸ Ω
forward resistance	≤ 5 mΩ

BMSWS8251-8.5 | 11/30/2022 01-59 | technical changes reserved

Technical data

Mechanical and chemical properties

Ambient temperature range (static) -40 °C...+85 °C

Approvals CE
UKCA

Note

- We reserve the right to make technical alterations without prior notice.