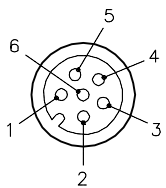
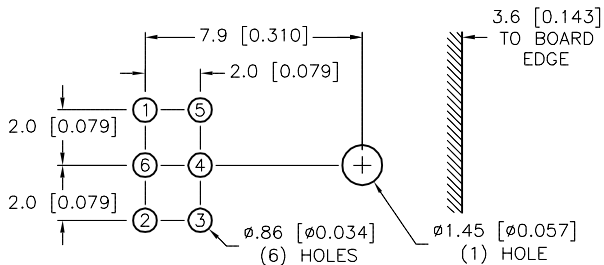


MALE END VIEW

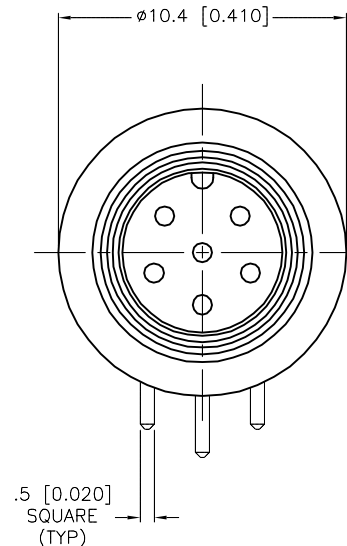
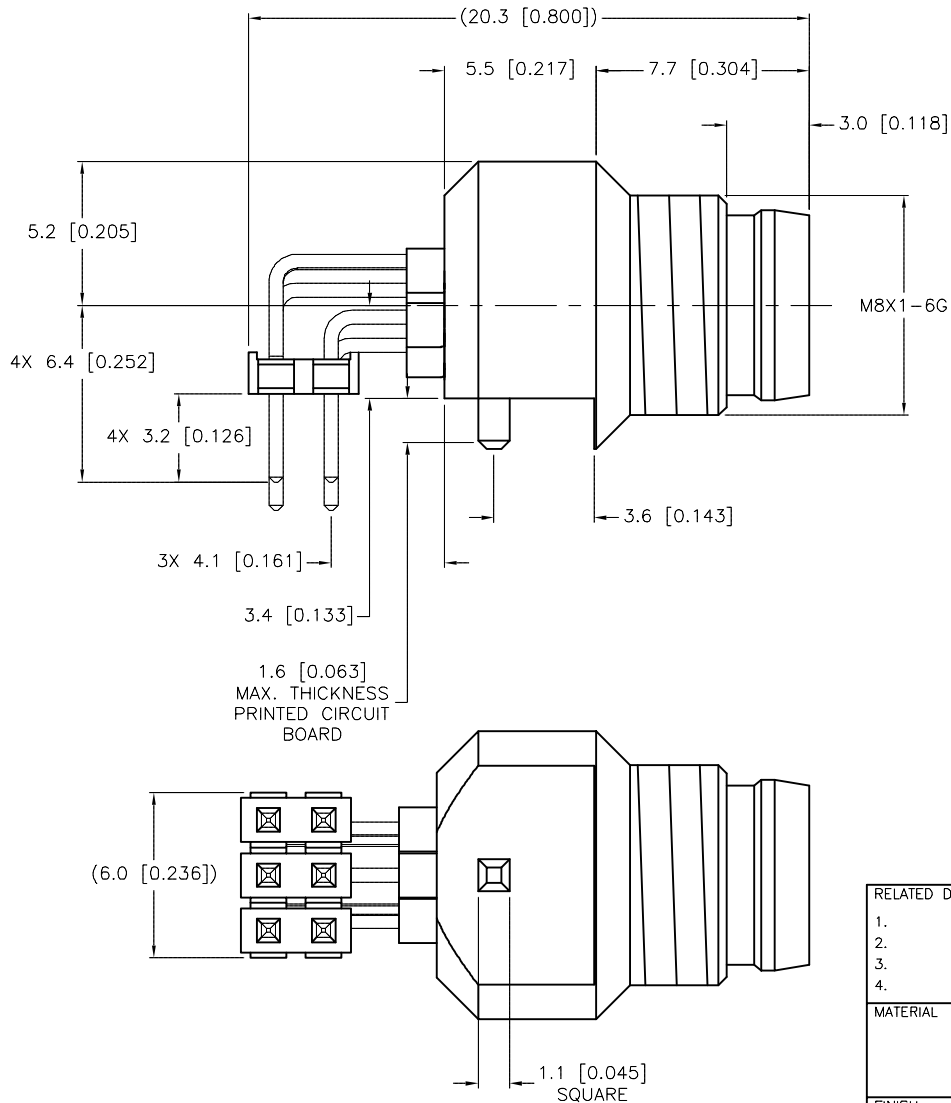


PIN-OUT DIAGRAM



SPECIFICATIONS

CONTACT CARRIER MATERIAL/COLOR	TPU/BLACK
CONTACT MATERIAL/PLATING	BRASS/GOLD
HOUSING MATERIAL/PLATING	BRASS/NICKEL
NUMBER OF CONTACTS	6 x 0.025 IN SQ. POSTS
RATED CURRENT [A]	1.0 A
RATED VOLTAGE [V]	24 VDC
TEMPERATURE RANGE	-30°C to +80°C (-22°F to +176°F)
MAXIMUM PCB THICKNESS	1.6 MM [0.06 IN]
PROTECTION CLASS	MEETS NEMA 1,3,4,6P AND IEC IP67



SOURCE DRAWING - FOR REFERENCE ONLY

RELATED DOCUMENTS 1. 2. 3. 4.	3RD ANGLE PROJECTION 	THIS DRAWING IS CONFIDENTIAL AND THE PROPERTY OF TURCK INC. USE OF THIS DOCUMENT WITHOUT WRITTEN PERMISSION IS PROHIBITED.		3000 CAMPUS DRIVE MINNEAPOLIS, MN 55441 1-800-544-7769 (763) 553-7300 (763) 553-0708 fax turck.com	
	MATERIAL	DRFT GC	DATE 01/12/00	DESCRIPTION WMFS 6-PCB	
FINISH	ALL DIMENSIONS DISPLAYED ON THIS DRAWING ARE FOR REFERENCE ONLY	APVD GC	SCALE 4=1	IDENTIFICATION NO. U2369-08	
	CONTACT TURCK FOR MORE INFORMATION	UNIT OF MEASUREMENT MILLIMETER [INCH]		REV E	
E	UPDATED CONTACT CARRIER MATERIAL	NF	09/09/15	49034	
REV	DESCRIPTION	BY	DATE	ECO NO.	DO NOT SCALE THIS DRAWING
					FILE: U2369-08
					SHEET 1 OF 1