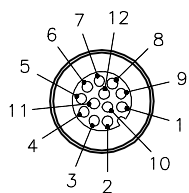


FEMALE END VIEW

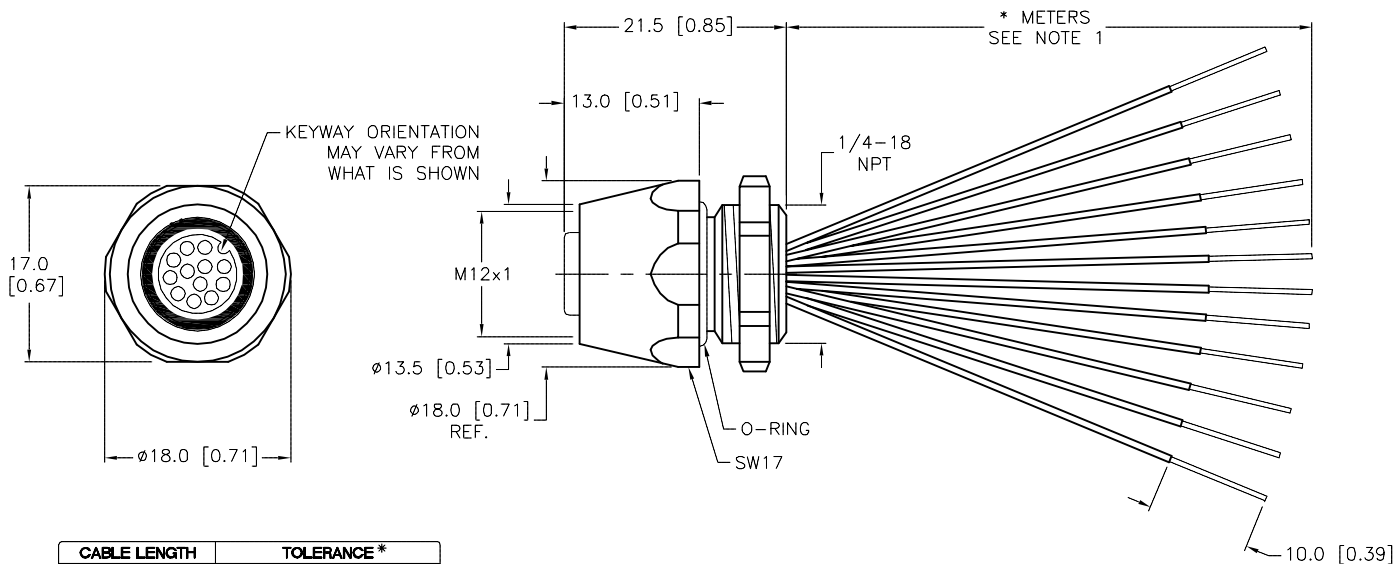


- 1 = WHITE
- 2 = BROWN
- 3 = GREEN
- 4 = YELLOW
- 5 = GREY
- 6 = PINK
- 7 = BLUE
- 8 = RED
- 9 = ORANGE
- 10 = TAN
- 11 = BLACK
- 12 = VIOLET



SPECIFICATIONS

| | |
|-------------------------------|-----------------------------------|
| CONTACT CARRIER MATERIAL | NYLON OR TPU |
| CONTACT MATERIAL/PLATING | BRASS/GOLD |
| HOUSING MATERIAL/FINISH | BRASS/NICKEL |
| O-RING MATERIAL | NITRILE |
| RATED CURRENT [A] | 2.0 A |
| RATED VOLTAGE [V] | 60 VAC/75 VDC |
| CONDUCTOR INSULATION MATERIAL | PVC |
| NUMBER OF CONDUCTORS [AWG] | 12x24 AWG |
| TEMPERATURE RATING | -30°C to +105°C (-22°F to +221°F) |
| PROTECTION CLASS | MEETS NEMA 1,3,4,6P AND IEC IP68 |
| SPACINGS | to VDE 0110 GROUP C |



KEYWAY ORIENTATION
MAY VARY FROM
WHAT IS SHOWN

| CABLE LENGTH | TOLERANCE* |
|--------------|---|
| ALL LENGTHS | + 4% (OR 50mm) OF LENGTH - 0% (OR 0mm) OF LENGTH WHICHEVER IS GREATER |
| STRIP LENGTH | TOLERANCE* |
| 0-7mm | ±0.5mm |
| 8-29mm | ±1.0mm |
| 30-49mm | ±2.0mm |
| 50-69mm | ±3.0mm |
| 70-100mm | ±4.0mm |
| OVER 100mm | ±5.0mm |

* UNLESS OTHERWISE SPECIFIED

SOURCE DRAWING - FOR REFERENCE ONLY

NOTES:

1. "*" INDICATES LEAD LENGTH IN METERS. CONTACT TURCK TO ORDER SPECIFIC LENGTHS.

| | | | | | | |
|---|---|--|---|---|---------------------------|------------------------------|
| RELATED DOCUMENTS 1. 2. 3. 4. | 3RD ANGLE PROJECTION | THIS DRAWING IS CONFIDENTIAL AND THE PROPERTY OF TURCK INC. USE OF THIS DOCUMENT WITHOUT WRITTEN PERMISSION IS PROHIBITED. | | 3000 CAMPUS DRIVE MINNEAPOLIS, MN 55441 1-800-544-7769 (763) 553-7300 (763) 553-0708 fax turck.com | | |
| | | DRFT | JB | DATE | 01/06/04 | DESCRIPTION FK 12-*/18.25 |
| MATERIAL SEE SPECIFICATIONS | ALL DIMENSIONS DISPLAYED ON THIS DRAWING ARE FOR REFERENCE ONLY | APVD | | SCALE | 1=.8 | |
| FINISH SEE SPECIFICATIONS | | CONTACT TURCK FOR MORE INFORMATION | UNIT OF MEASUREMENT MILLIMETER [INCH] | | IDENTIFICATION NO. | REV D |
| D | ADD O-RING MATERIAL AND UPDATED TEMPERATURE PER ECO | TV | 02/01/16 | 53192 | | |
| REV | DESCRIPTION | BY | DATE | ECO NO. | DO NOT SCALE THIS DRAWING | |
| | | | | | FILE: 777002923 | SHEET 1 OF 1 |