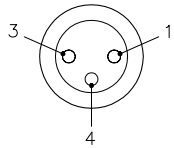
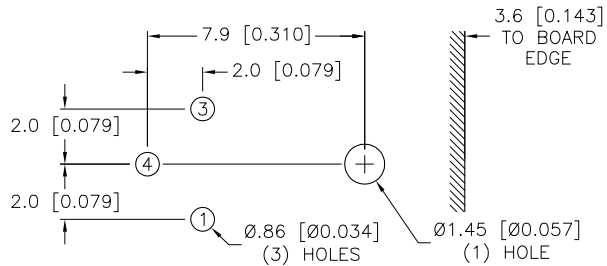


MALE END VIEW

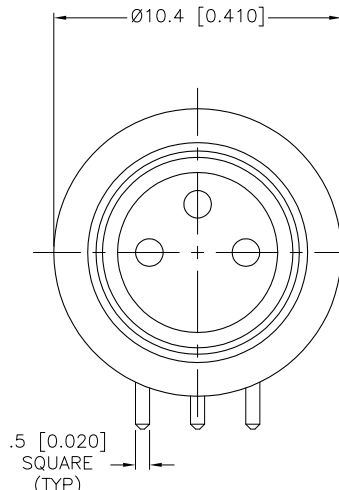
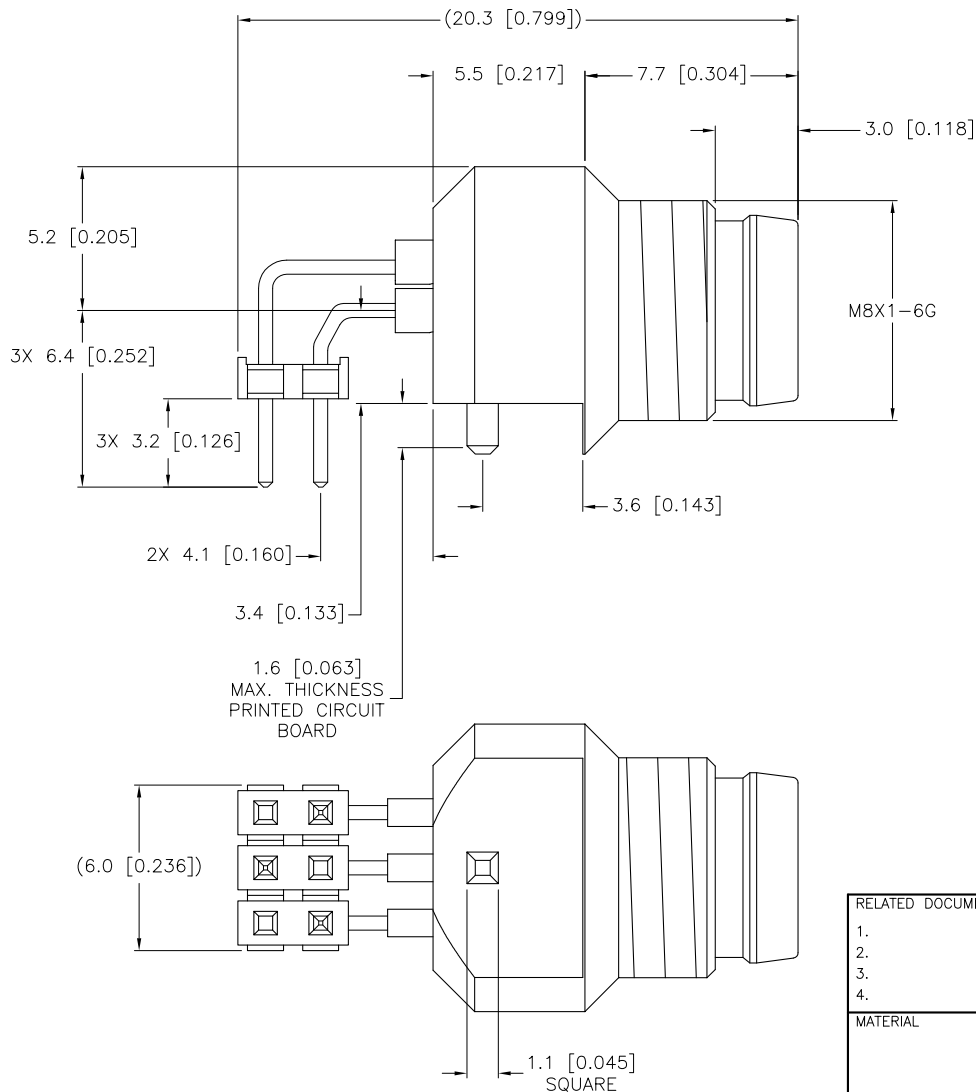


PIN-OUT DIAGRAM



SPECIFICATIONS

CONTACT CARRIER MATERIAL/COLOR	NYLON/BLACK
CONTACT MATERIAL/PLATING	BRASS/GOLD
HOUSING MATERIAL/PLATING	BRASS/NICKEL
NUMBER OF CONTACTS	3 x 0.025 IN SQ. POSTS
RATED CURRENT [A]	4.0 A
RATED VOLTAGE [V]	60 VAC / 75 VDC
TEMPERATURE RANGE	-30°C to +80°C (-22°F to +176°F)
MAXIMUM PCB THICKNESS	1.6 MM [0.06 IN]
PROTECTION CLASS	MEETS NEMA 1,3,4,6P AND IEC IP67



SOURCE DRAWING - FOR REFERENCE ONLY

RELATED DOCUMENTS		3RD ANGLE PROJECTION		THIS DRAWING IS PROPERTY OF TURCK INC. USE OF THIS DOCUMENT WITHOUT WRITTEN PERMISSION IS PROHIBITED.		TURCK INC High Technology Sensors and Automation Controls 3000 CAMPUS DRIVE MINNEAPOLIS, MN 55441 1-800-544-7769 (763) 553-7300 (763) 553-0708 fax turck.com	
1.			DRFT	GB	DATE	01/12/00	DESCRIPTION
2.			DSGN	GB	SCALE	4=1	
3.		ALL DIMENSIONS DISPLAYED ON THIS DRAWING ARE FOR REFERENCE ONLY CONTACT TURCK FOR MORE INFORMATION	UNIT OF MEASUREMENT		IDENTIFICATION NO.		REV
4.			MILLIMETER [INCH]		U2369-06		
MATERIAL		DO NOT SCALE THIS DRAWING		FILE: U2369-06		SHEET 1 OF 1	
FINISH							

F	UPDATE HEADER POSITION AND HEADER PIN LENGTHS	GB	10/04/07	18721
REV	DESCRIPTION	BY	DATE	ECO NO.