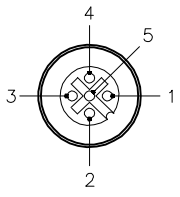
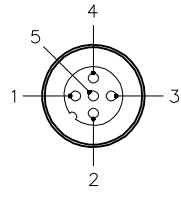
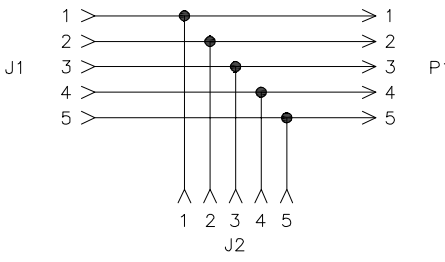
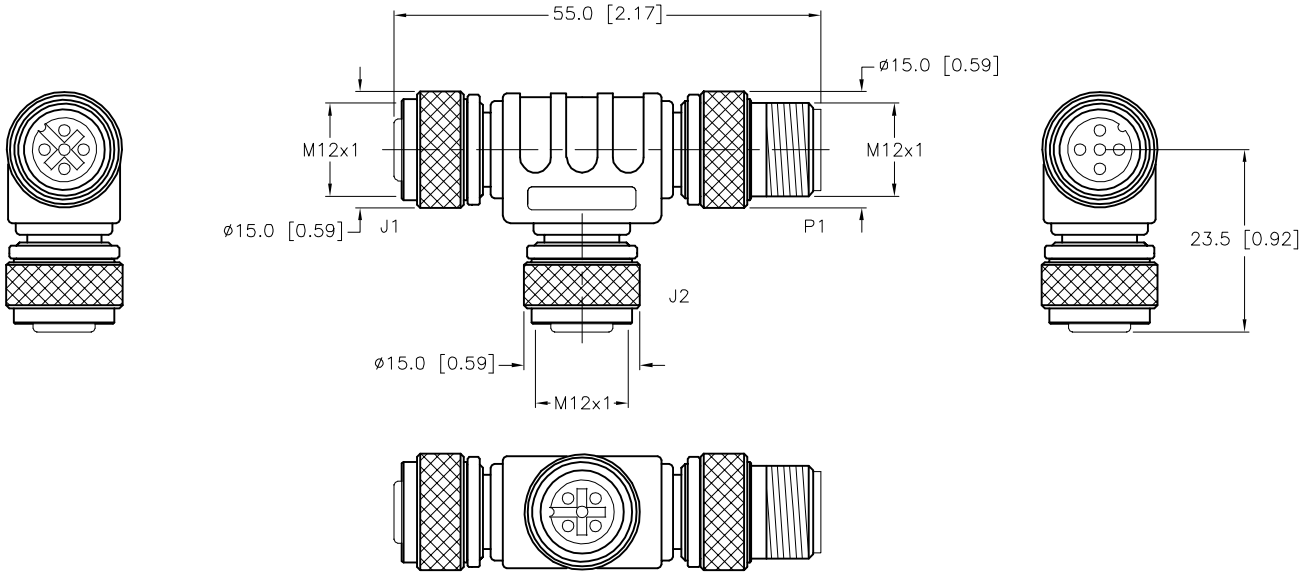
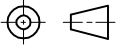



FEMALE END VIEW	MALE END VIEW	WIRING DIAGRAM	SPECIFICATIONS																	
			<table border="1"> <tr> <td>CONTACT CARRIER MATERIAL/COLOR</td> <td>NYLON OR TPU/BLACK</td> </tr> <tr> <td>MOLDED HEAD MATERIAL/COLOR</td> <td>TPU/BLUE</td> </tr> <tr> <td>CONTACT MATERIAL/PLATING</td> <td>BRASS/GOLD</td> </tr> <tr> <td>COUPLING NUT MATERIAL/PLATING</td> <td>BRASS/NICKEL</td> </tr> <tr> <td>RATED CURRENT [A]</td> <td>4.0 A</td> </tr> <tr> <td>RATED VOLTAGE [V]</td> <td>60 V</td> </tr> <tr> <td>TEMPERATURE RANGE</td> <td>-30°C TO +90°C (-22°F TO +194°F)</td> </tr> <tr> <td>PROTECTION CLASS</td> <td>IP67</td> </tr> </table>	CONTACT CARRIER MATERIAL/COLOR	NYLON OR TPU/BLACK	MOLDED HEAD MATERIAL/COLOR	TPU/BLUE	CONTACT MATERIAL/PLATING	BRASS/GOLD	COUPLING NUT MATERIAL/PLATING	BRASS/NICKEL	RATED CURRENT [A]	4.0 A	RATED VOLTAGE [V]	60 V	TEMPERATURE RANGE	-30°C TO +90°C (-22°F TO +194°F)	PROTECTION CLASS	IP67	
CONTACT CARRIER MATERIAL/COLOR	NYLON OR TPU/BLACK																			
MOLDED HEAD MATERIAL/COLOR	TPU/BLUE																			
CONTACT MATERIAL/PLATING	BRASS/GOLD																			
COUPLING NUT MATERIAL/PLATING	BRASS/NICKEL																			
RATED CURRENT [A]	4.0 A																			
RATED VOLTAGE [V]	60 V																			
TEMPERATURE RANGE	-30°C TO +90°C (-22°F TO +194°F)																			
PROTECTION CLASS	IP67																			



SOURCE DRAWING - FOR REFERENCE ONLY

RELATED DOCUMENTS 1. 2. 3. 4.	3RD ANGLE PROJECTION 	THIS DRAWING IS CONFIDENTIAL AND THE PROPERTY OF TURCK INC. USE OF THIS DOCUMENT WITHOUT WRITTEN PERMISSION IS PROHIBITED.	<div style="text-align: right;"> <p>3000 CAMPUS DRIVE MINNEAPOLIS, MN 55441 1-800-544-7769 (763) 553-7300 (763) 553-0708 fax www.turck.us</p> </div> <div style="text-align: center;">  </div>
MATERIAL FINISH	ALL DIMENSIONS DISPLAYED ON THIS DRAWING ARE FOR REFERENCE ONLY CONTACT TURCK FOR MORE INFORMATION	DRFT IK APVD DATE 08/5/99 SCALE 1=1.0 UNIT OF MEASUREMENT MILLIMETER [INCH]	DESCRIPTION RSC 2RKC 57 IDENTIFICATION NO. E9003 REV E
E UPDATE TEMP SPECS	RDS 01/23/18 63801	BY DATE ECO NO.	DO NOT SCALE THIS DRAWING
REV DESCRIPTION	BY DATE ECO NO.	BY DATE ECO NO.	FILE: E9003 SHEET 1 OF 1