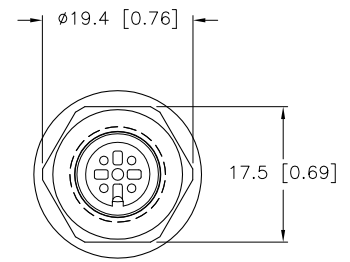
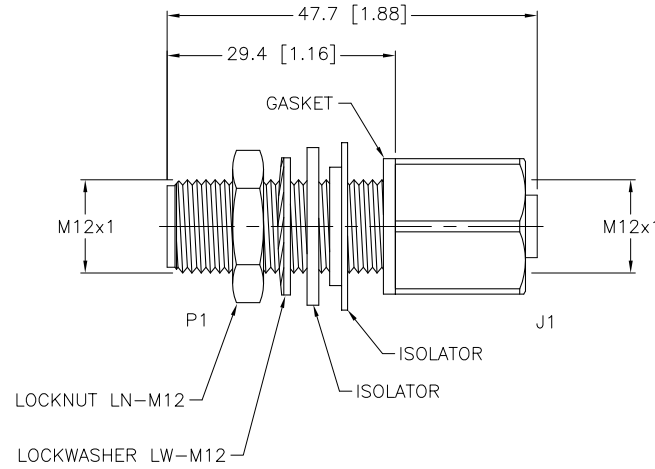
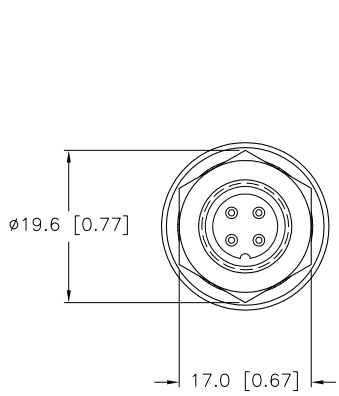
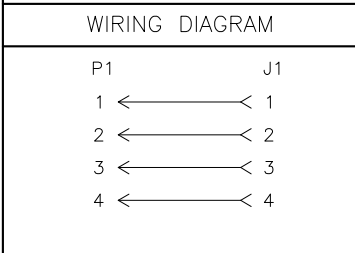


SPECIFICATIONS	
CONTACT CARRIER MATERIAL	NYLON OR TPU
CONTACT MATERIAL/PLATING	BRASS/GOLD
HOUSING MATERIAL/FINISH	STAINLESS STEEL/PASSIVATED
RATED CURRENT [A]	4.0 A
RATED VOLTAGE [V]	150 V
TEMPERATURE RANGE	-40°C to +80°C (-40°F to +176°F)
PROTECTION CLASS	MEETS NEMA 1,3,4,6P AND IEC IP68
GASKET MATERIAL	NITRILE (BUNA N)
ISOLATOR MATERIAL	NYLON



SOURCE DRAWING - FOR REFERENCE ONLY

RELATED DOCUMENTS		3RD ANGLE PROJECTION	THIS DRAWING IS CONFIDENTIAL AND THE PROPERTY OF TURCK INC. USE OF THIS DOCUMENT WITHOUT WRITTEN PERMISSION IS PROHIBITED.	 3000 CAMPUS DRIVE MINNEAPOLIS, MN 55441 1-800-544-7769 (763) 553-7300 (763) 553-0708 fax turck.com			
1.				DRFT	RDS	DATE	01/08/07
2.		ALL DIMENSIONS DISPLAYED ON THIS DRAWING ARE FOR REFERENCE ONLY	DSGN	SCALE	1=1.0	IDENTIFICATION NO.	O0912-74
3.			CONTACT TURCK FOR MORE INFORMATION	UNIT OF MEASUREMENT			
4.		SEE SPECIFICATIONS		DO NOT SCALE THIS DRAWING		FILE: U0912-74	SHEET 1 OF 1
MATERIAL		SEE SPECIFICATIONS					
FINISH		SEE SPECIFICATIONS					
D	UPDATE VOLTAGE RATING AND PROTECTION CLASS	RDS	07/28/11	35766			
REV	DESCRIPTION	BY	DATE	ECO NO.			