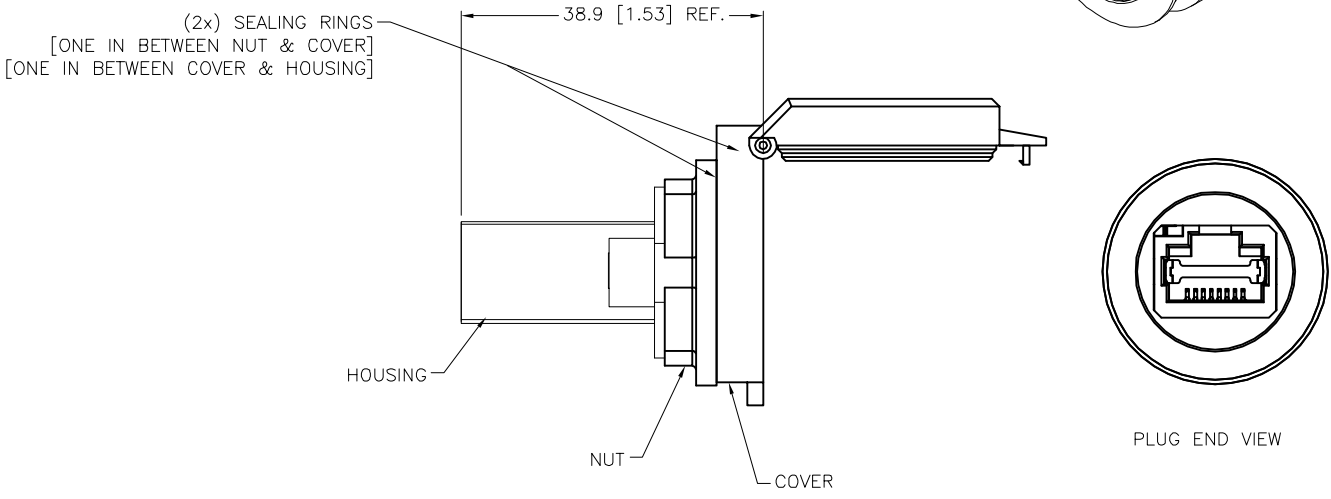
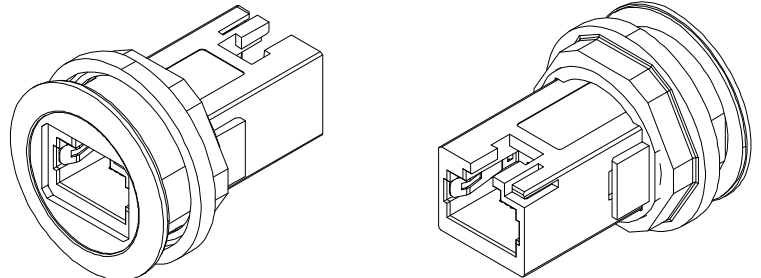

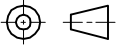


SPECIFICATIONS	
CONNECTOR TYPE	SHIELDED
RATED CURRENT [A]	1.5 A
RATED VOLTAGE [V]	125 VAC
NUMBER OF CONTACTS	8
TRANSMISSION SPEED	CAT 6



SOURCE DRAWING - FOR REFERENCE ONLY

- NOTES:
- ALL DIMENSIONS ARE REFERENCE.
 - RJ45 JACK ON BOTH SIDES OF THE PANEL MOUNT ASSEMBLY.
 - USE WITH PANEL THICKNESS 1.5mm (MIN); 0.5mm (MAX)

RELATED DOCUMENTS		3RD ANGLE PROJECTION		THIS DRAWING IS CONFIDENTIAL AND THE PROPERTY OF TURCK INC. USE OF THIS DOCUMENT WITHOUT WRITTEN PERMISSION IS PROHIBITED.		 3000 CAMPUS DRIVE MINNEAPOLIS, MN 55441 1-800-544-7769 (763) 553-7300 (763) 553-0708 fax www.turck.us		
1.			DRFT	RDS	DATE	11/20/13	DESCRIPTION RJ45 PANEL MOUNT W IP67 CAP	
2.			APVD	A.A.	SCALE	1=1.0		
3.		ALL DIMENSIONS DISPLAYED ON THIS DRAWING ARE FOR REFERENCE ONLY	UNIT OF MEASUREMENT MILLIMETER [INCH]				IDENTIFICATION NO.	REV
4.			CONTACT TURCK FOR MORE INFORMATION	DO NOT SCALE THIS DRAWING				U2-22253
MATERIAL		SEE SPECIFICATIONS	FILE: U2-22253					SHEET 1 OF 1
FINISH		SEE SPECIFICATIONS						

D	UPDATE NOTES AND ADD ISOMETRIC VIEWS	TR	08/26/21	76985
REV	DESCRIPTION	BY	DATE	ECO NO.