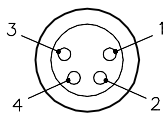
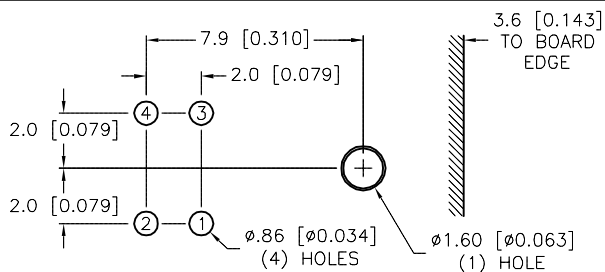


MALE END VIEW

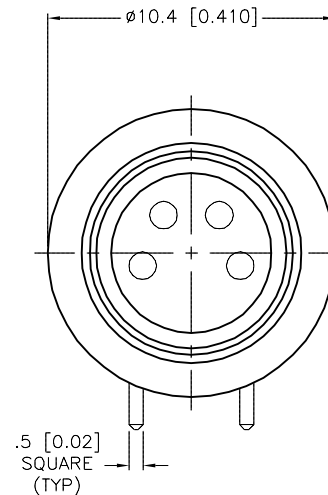
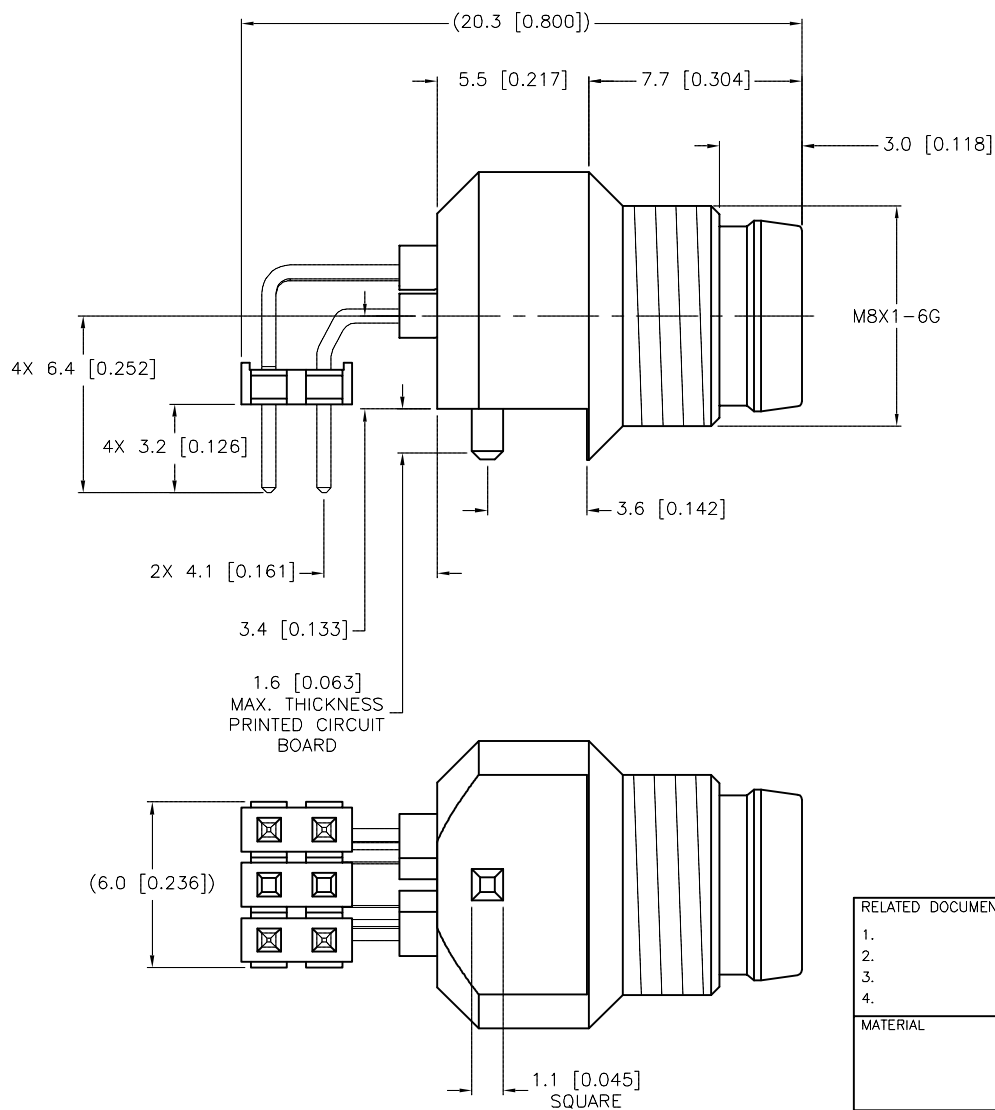


PIN-OUT DIAGRAM



SPECIFICATIONS

CONTACT CARRIER MATERIAL/COLOR	NYLON/BLACK
CONTACT MATERIAL/PLATING	BRASS/GOLD
HOUSING MATERIAL/PLATING	BRASS/NICKEL
NUMBER OF CONTACTS	4 x 0.025 IN SQ. POSTS
RATED CURRENT [A]	4.0 A
RATED VOLTAGE [V]	30 VAC / 36 VDC
TEMPERATURE RANGE	-30°C to +80°C (-22°F to +176°F)
MAXIMUM PCB THICKNESS	1.6 MM [0.06 IN]
PROTECTION CLASS	MEETS NEMA 1,3,4,6P AND IEC IP67



SOURCE DRAWING - FOR REFERENCE ONLY

RELATED DOCUMENTS 1. 2. 3. 4.	3RD ANGLE PROJECTION 	THIS DRAWING IS CONFIDENTIAL AND THE PROPERTY OF TURCK INC. USE OF THIS DOCUMENT WITHOUT WRITTEN PERMISSION IS PROHIBITED.		3000 CAMPUS DRIVE MINNEAPOLIS, MN 55441 1-800-544-7769 (763) 553-7300 (763) 553-0708 fax www.turck.us	
	MATERIAL	DRFT GC	DATE 01/12/00	DESCRIPTION TURCK WMFS 4-PCB	
FINISH	APVD GC	SCALE 1=.3	IDENTIFICATION NO. U2369-07		
ALL DIMENSIONS DISPLAYED ON THIS DRAWING ARE FOR REFERENCE ONLY		UNIT OF MEASUREMENT MILLIMETER [INCH]		REV G	
CONTACT TURCK FOR MORE INFORMATION		DO NOT SCALE THIS DRAWING		FILE: U2369-07	
G UPDATE HOLE DIAMETER IN PINOUT DIAGRAM		RDS	01/09/19	68172	
REV	DESCRIPTION	BY	DATE	ECO NO.	