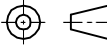


SOURCE DRAWING - FOR REFERENCE ONLY

RELATED DOCUMENTS 1. 2. 3. 4.		3RD ANGLE PROJECTION 	THIS DRAWING IS CONFIDENTIAL AND THE PROPERTY OF TURCK INC. USE OF THIS DOCUMENT WITHOUT WRITTEN PERMISSION IS PROHIBITED.		3000 CAMPUS DRIVE MINNEAPOLIS, MN 55441 1-800-544-7769 (763) 553-7300 (763) 553-0708 fax www.turck.us	
MATERIAL SEE SPECIFICATIONS		ALL DIMENSIONS DISPLAYED ON THIS DRAWING ARE FOR REFERENCE ONLY	DRFT RDS	DATE 06/19/07	DESCRIPTION FKV FSV 57/M12	
FINISH SEE SPECIFICATIONS		CONTACT TURCK FOR MORE INFORMATION	APVD	SCALE 1=1.0		
			UNIT OF MEASUREMENT MILLIMETER [INCH] DO NOT SCALE THIS DRAWING		FILE: U9527-1 SHEET 1 OF 1	
D UPDATE VOLTAGE RATING AND PROTECTION CLASS	RDS	07/28/11	35766			
REV DESCRIPTION	BY	DATE	ECO NO.			