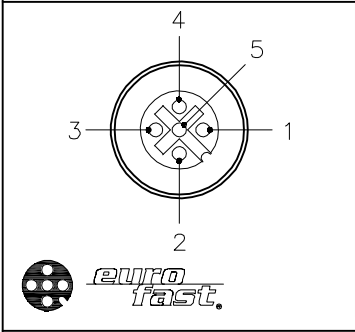
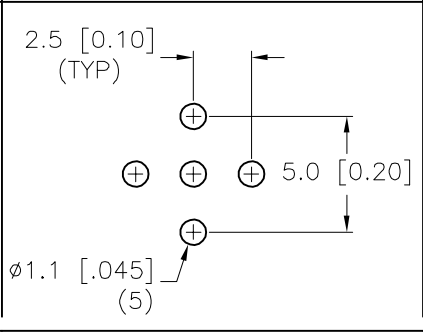
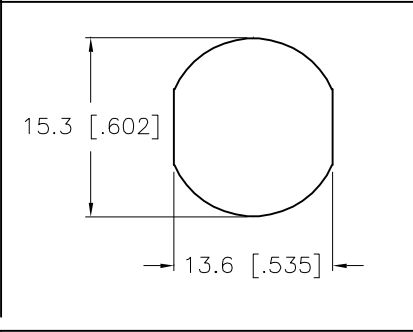
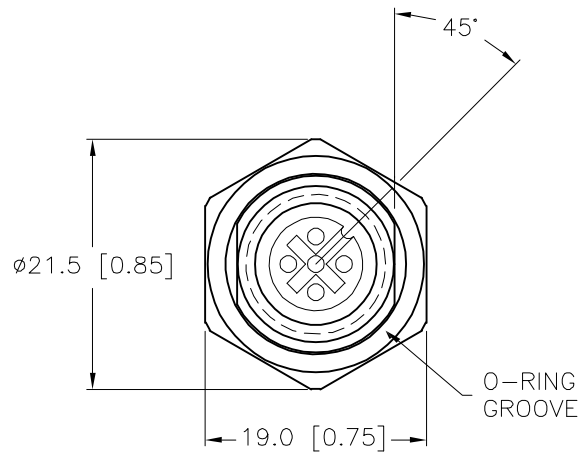
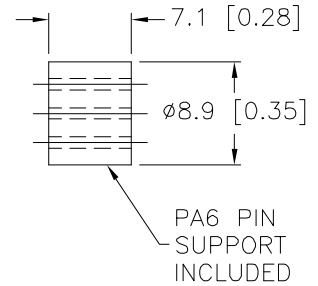
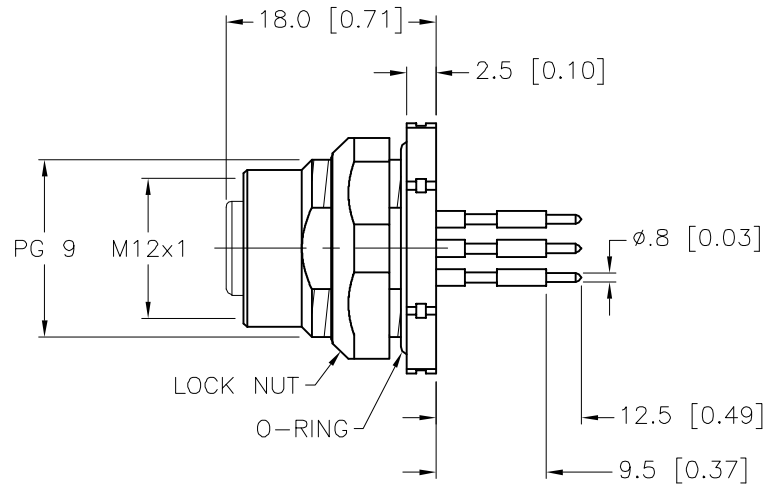


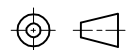

FEMALE END VIEW	BOARD LAYOUT	TYP. PANEL CUTOUT	SPECIFICATIONS																					
			<table border="1"> <tr><td>CONTACT CARRIER MATERIAL</td><td>NYLON OR TPU</td></tr> <tr><td>CONTACT MATERIAL/PLATING</td><td>BRASS/GOLD</td></tr> <tr><td>HOUSING, LOCKNUT MATERIAL/PLATING</td><td>BRASS/NICKEL</td></tr> <tr><td>RATED CURRENT [A]</td><td>4.0 A</td></tr> <tr><td>RATED VOLTAGE [V]</td><td>250 V</td></tr> <tr><td>O-RING MATERIAL</td><td>NITRILE</td></tr> <tr><td>NUMBER OF CONDUCTORS [AWG]</td><td>5 PRINTED CIRCUIT PINS</td></tr> <tr><td>TEMPERATURE RATING</td><td>-30°C to +80°C (-22°F to +176°F)</td></tr> <tr><td>PROTECTION CLASS</td><td>MEETS NEMA 1,3,4,6P AND IEC IP68</td></tr> <tr><td>MAX. PANEL THICKNESS</td><td>3.0 [0.12]</td></tr> </table>	CONTACT CARRIER MATERIAL	NYLON OR TPU	CONTACT MATERIAL/PLATING	BRASS/GOLD	HOUSING, LOCKNUT MATERIAL/PLATING	BRASS/NICKEL	RATED CURRENT [A]	4.0 A	RATED VOLTAGE [V]	250 V	O-RING MATERIAL	NITRILE	NUMBER OF CONDUCTORS [AWG]	5 PRINTED CIRCUIT PINS	TEMPERATURE RATING	-30°C to +80°C (-22°F to +176°F)	PROTECTION CLASS	MEETS NEMA 1,3,4,6P AND IEC IP68	MAX. PANEL THICKNESS	3.0 [0.12]	
CONTACT CARRIER MATERIAL	NYLON OR TPU																							
CONTACT MATERIAL/PLATING	BRASS/GOLD																							
HOUSING, LOCKNUT MATERIAL/PLATING	BRASS/NICKEL																							
RATED CURRENT [A]	4.0 A																							
RATED VOLTAGE [V]	250 V																							
O-RING MATERIAL	NITRILE																							
NUMBER OF CONDUCTORS [AWG]	5 PRINTED CIRCUIT PINS																							
TEMPERATURE RATING	-30°C to +80°C (-22°F to +176°F)																							
PROTECTION CLASS	MEETS NEMA 1,3,4,6P AND IEC IP68																							
MAX. PANEL THICKNESS	3.0 [0.12]																							



END VIEW
LOCK NUT NOT SHOWN



SOURCE DRAWING - FOR REFERENCE ONLY

RELATED DOCUMENTS 1. 2. 3. 4.	3RD ANGLE PROJECTION 	THIS DRAWING IS CONFIDENTIAL AND THE PROPERTY OF TURCK INC. USE OF THIS DOCUMENT WITHOUT WRITTEN PERMISSION IS PROHIBITED.	<div style="text-align: right;"> <p>3000 CAMPUS DRIVE MINNEAPOLIS, MN 55441 1-800-544-7769 (763) 553-7300 (763) 553-0708 fax www.turck.us</p> </div> <div style="text-align: center;">  </div>
MATERIAL SEE SPECIFICATIONS	ALL DIMENSIONS DISPLAYED ON THIS DRAWING ARE FOR REFERENCE ONLY	DRFT SWC DATE 09/05/95 APVD SCALE 1=1.7	DESCRIPTION FKFD 4.5
FINISH SEE SPECIFICATIONS	CONTACT TURCK FOR MORE INFORMATION	UNIT OF MEASUREMENT MILLIMETER [INCH] DO NOT SCALE THIS DRAWING	IDENTIFICATION NO. U4500 REV J FILE: U4500 SHEET 1 OF 1

J	NOTATE THE KEYWAY IS 45° FROM THE MOUNTING FLAT	RDS	04/25/22	77572
REV	DESCRIPTION	BY	DATE	ECO NO.