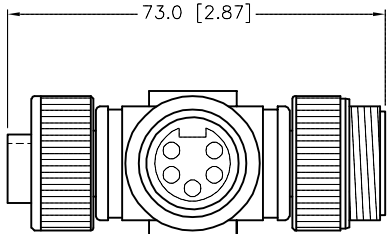
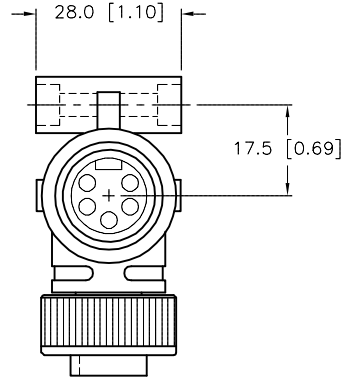
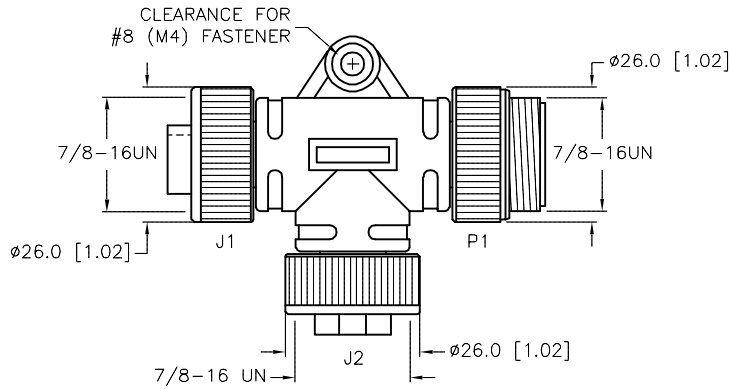
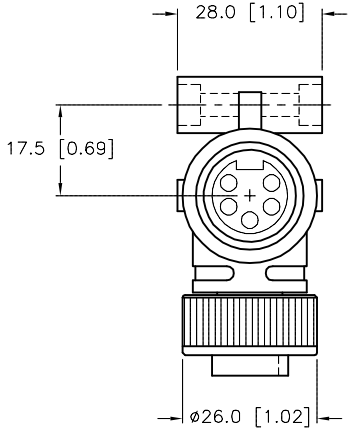
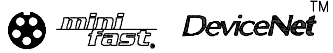
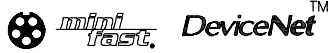
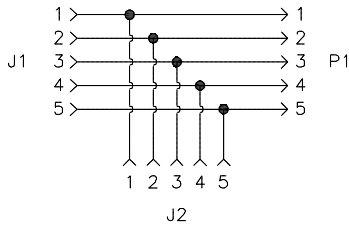
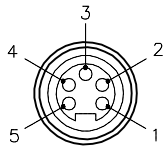
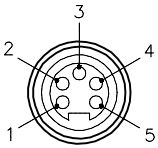


FEMALE END VIEW

MALE END VIEW

WIRING DIAGRAM

SPECIFICATIONS	
CONTACT CARRIER MATERIAL/COLOR	TPU/BLUE-GRAY
MOLDED HEAD MATERIAL/COLOR	TPU/BLUE-GRAY
CONTACT MATERIAL/PLATING	BRASS/GOLD
COUPLING NUT MATERIAL/PLATING	BRASS/NICKEL
RATED CURRENT [A]	9.0 A
RATED VOLTAGE [V]	250 V
TEMPERATURE RATING	-40°C to +80°C (-40°F to +176°F)
PROTECTION CLASS	MEETS NEMA 1,3,4,6P AND IEC IP67



SOURCE DRAWING - FOR REFERENCE ONLY

RELATED DOCUMENTS		3RD ANGLE PROJECTION		THIS DRAWING IS CONFIDENTIAL AND THE PROPERTY OF TURCK INC. USE OF THIS DOCUMENT WITHOUT WRITTEN PERMISSION IS PROHIBITED.		3000 CAMPUS DRIVE MINNEAPOLIS, MN 55441 1-800-544-7769 (763) 553-7300 (763) 553-0708 fax www.turck.us	
1.			DRFT	RJP	DATE	8/29/94	DESCRIPTION RSM-2RKM 57
2.			APVD		SCALE	1=1.5	
3.		ALL DIMENSIONS DISPLAYED ON THIS DRAWING ARE FOR REFERENCE ONLY  CONTACT TURCK FOR MORE INFORMATION	UNIT OF MEASUREMENT		IDENTIFICATION NO.		REV
4.			MILLIMETER [ INCH ]		U0141		K
MATERIAL	SEE SPECIFICATIONS	DO NOT SCALE THIS DRAWING		FILE: U0141		SHEET 1 OF 1	
FINISH	SEE SPECIFICATIONS						

K	UPDATE RATED VOLTAGE	NF	08/02/17	61408
REV	DESCRIPTION	BY	DATE	ECO NO.