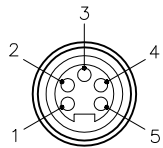


J1 & J2 CONNECTORS

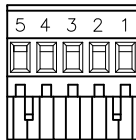


- 1 = DRAIN
- 2 = + VOLTAGE
- 3 = - VOLTAGE
- 4 = CAN\_H
- 5 = CAN\_L



DeviceNet™

TERMINAL BLOCK PLUGS

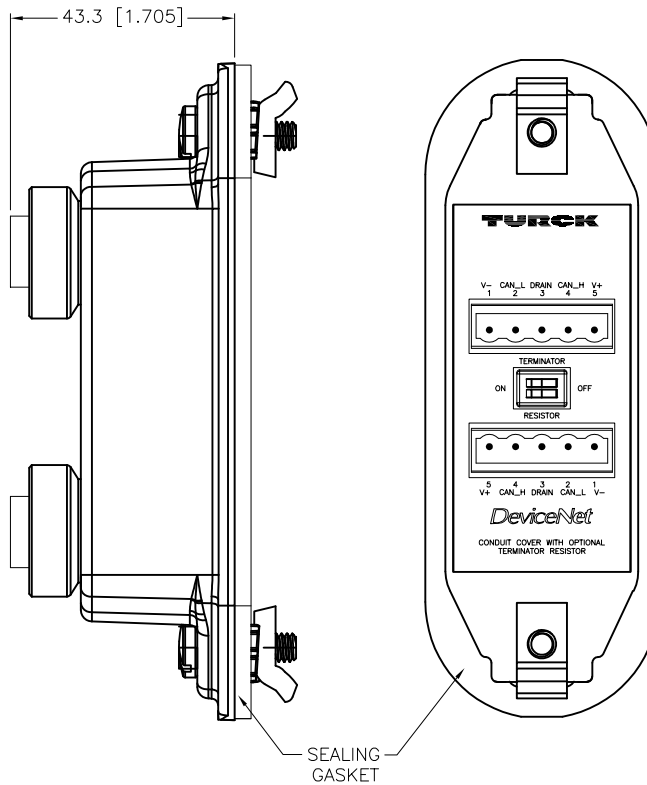
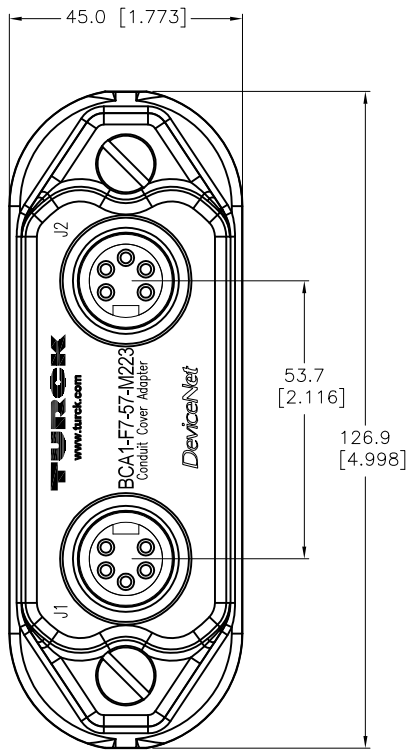


- 1 = - VOLTAGE
- 2 = CAN\_L
- 3 = DRAIN
- 4 = CAN\_H
- 5 = + VOLTAGE

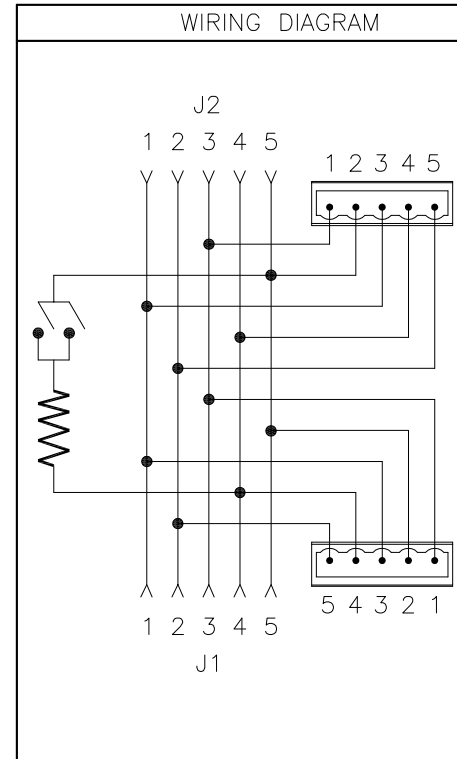
DeviceNet™

SPECIFICATIONS

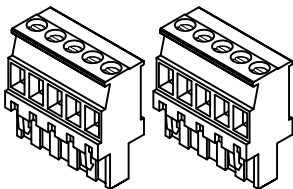
|                                    |   |
|------------------------------------|---|
| HOUSING MATERIAL/COLOR             | NYLON/BLACK   |
| RECEPTACLE HOUSING MATERIAL/FINISH | STAINLESS STEEL/PASSIVATED  |
| CONTACT CARRIERS/COLOR             | TPU/BLUE  |
| CONTACT MATERIAL/PLATING           | BRASS/GOLD  |
| OPERATING VOLTAGE                  | 40 V  |
| OPERATING CURRENT                  | 8.0 A   |
| OPTIONAL TERMINATOR RESISTOR       | 1 OF 2 SWITCHES IN "ON" POSITION                                      |
| PROTECTION CLASS to DIN 40050      | IP 67 - ONLY WHEN ALL RECEPTACLES ARE COVERED WITH PLUGS OR CONNECTED |
| OPERATING TEMPERATURE              | -40°C to +70°C (-40°F to +158°F)                                      |



WIRING DIAGRAM



TERMINAL PLUGS INCLUDED



SOURCE DRAWING - FOR REFERENCE ONLY

|   |   |  |               |   |  |
|---|---|--|---------------|---|--|
| RELATED DOCUMENTS<br>1.<br>2.<br>3.<br>4. | 3RD ANGLE PROJECTION<br>  | THIS DRAWING IS CONFIDENTIAL AND THE PROPERTY OF TURCK INC. USE OF THIS DOCUMENT WITHOUT WRITTEN PERMISSION IS PROHIBITED. |               | 3000 CAMPUS DRIVE<br>MINNEAPOLIS, MN 55441<br>1-800-544-7769<br>(763) 553-7300<br>(763) 553-0708 fax<br>turck.com |  |
|   | MATERIAL  | DRFT RDS   | DATE 09/14/11 | DESCRIPTION<br>BCA1-F7-57-M223  |  |
| FINISH                                    | ALL DIMENSIONS DISPLAYED ON THIS DRAWING ARE FOR REFERENCE ONLY | APVD D.E.  | SCALE 1=1.5   | IDENTIFICATION NO.<br>U2-19332  |  |
| CONTACT TURCK FOR MORE INFORMATION        |   | UNIT OF MEASUREMENT<br><b>MILLIMETER [ INCH ]</b>  |               | REV<br>A  |  |
| DO NOT SCALE THIS DRAWING                 |   | FILE: U2-19332   |               | SHEET 1 OF 1  |  |

|     |                 |     |          |         |
|-----|-----------------|-----|----------|---------|
| A   | DRAWING RELEASE | RDS | 08/02/12 |         |
| REV | DESCRIPTION     | BY  | DATE     | ECO NO. |