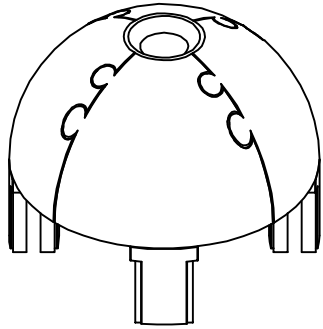
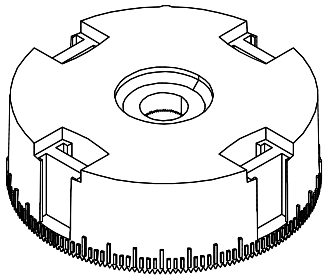


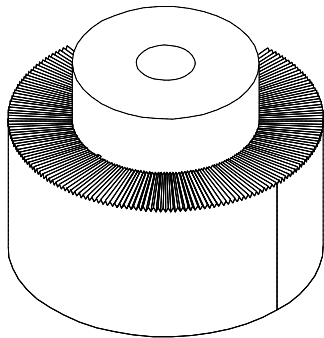
**DOMES  
(YEL/BLK)**



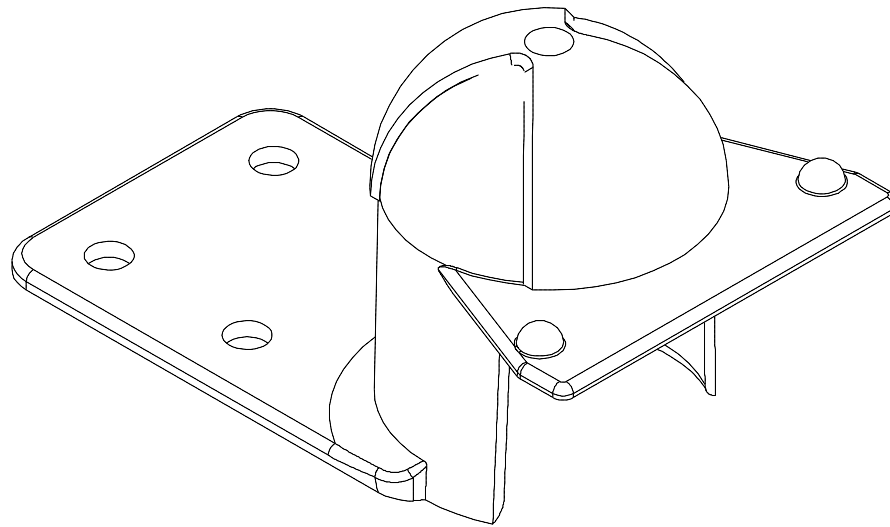
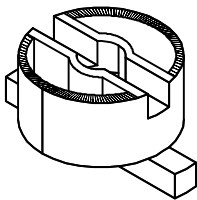
**TOP**



**BOTTOM**



**INSERT**



**DOMES COVER**

NOTES:

1. HARDWARE INCLUDES:

- (4x) M5x12" SOCKET CAP SCREWS, SST
- (4x) M5 SPLIT LOCK WASHER, SST
- (1x) M6x25 CAP SCREW, SST

**SOURCE DRAWING - FOR REFERENCE ONLY**

RELATED DOCUMENTS		3RD ANGLE PROJECTION		THIS DRAWING IS CONFIDENTIAL AND THE PROPERTY OF TURCK INC. USE OF THIS DOCUMENT WITHOUT WRITTEN PERMISSION IS PROHIBITED.		<b>TURCK</b> 3000 CAMPUS DRIVE MINNEAPOLIS, MN 55441 1-800-544-7769 (763) 553-7300 (763) 553-0708 fax www.turck.us	
1. 2. 3. 4.				DRFT RDS	DATE 07/29/10	DESCRIPTION BTS-DSU35-EBE3 DOME/COVER YE/BK KIT	
MATERIAL SEE SPECIFICATIONS		ALL DIMENSIONS DISPLAYED ON THIS DRAWING ARE FOR REFERENCE ONLY		DSGN	SCALE 1=1.0	IDENTIFICATION NO. A9638	
FINISH SEE SPECIFICATIONS		CONTACT TURCK FOR MORE INFORMATION		UNIT OF MEASUREMENT <b>MILLIMETER [ INCH ]</b>		REV A	
A DRAWING RELEASE		RDS 07/29/10		DO NOT SCALE THIS DRAWING		FILE: A9638	
REV	DESCRIPTION	BY	DATE	ECO NO.	SHEET 1 OF 1		