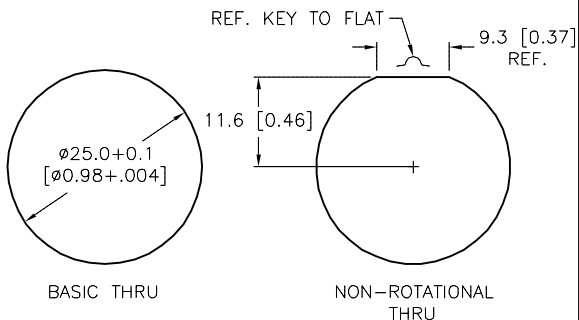
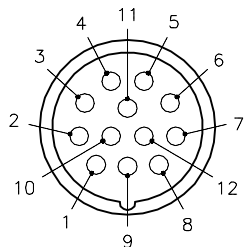


MALE END VIEW

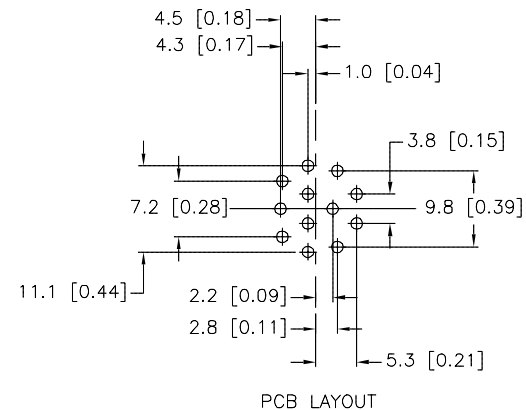
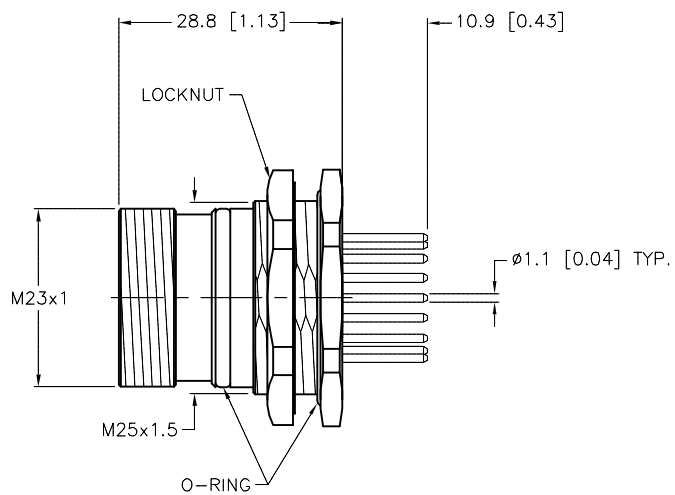
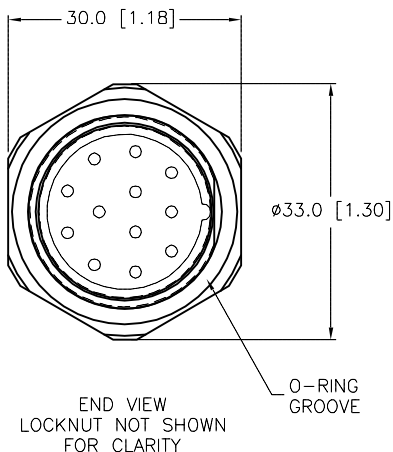
PANEL CUTOUT (TYPICAL)

SPECIFICATIONS



CONTACT CARRIER MATERIAL	NYLON PBT
CONTACT MATERIAL/PLATING	BRASS/GOLD
CONNECTOR HOUSING MATERIAL/PLATING	BRASS/NICKEL
SEALING RING	NITRILE OR FLUOR RUBBER
RATED CURRENT [A]	6.0 A MAX.
RATED VOLTAGE [V]	300 V
CONDUCTORS	12 PRINTED CIRCUIT PINS
PROTECTION CLASS	IEC IP65

M23 connector



**NOTE
PRELIMINARY
SPECIFICATIONS**

SOURCE DRAWING - FOR REFERENCE ONLY

NOTES:

1. MAXIMUM WALL THICKNESS 6.5mm [0.256"].

RELATED DOCUMENTS 1. 2. 3. 4.	3RD ANGLE PROJECTION 	THIS DRAWING IS CONFIDENTIAL AND THE PROPERTY OF TURCK INC. USE OF THIS DOCUMENT WITHOUT WRITTEN PERMISSION IS PROHIBITED.		3000 CAMPUS DRIVE MINNEAPOLIS, MN 55441 1-800-544-7769 (763) 553-7300 (763) 553-0708 fax www.turck.us	
	MATERIAL SEE SPECIFICATIONS	DRFT RDS APVD JB	DATE 08/15/06 SCALE 1=1.0	DESCRIPTION TURCK CSFD 12-PCBL	
FINISH SEE SPECIFICATIONS	ALL DIMENSIONS DISPLAYED ON THIS DRAWING ARE FOR REFERENCE ONLY	UNIT OF MEASUREMENT MILLIMETER [INCH]		IDENTIFICATION NO. U2-09319	REV P 1
DO NOT SCALE THIS DRAWING		FILE: U2-09319		SHEET 1 OF 1	

P1		RDS	08/15/06	
REV	DESCRIPTION	BY	DATE	ECO NO.