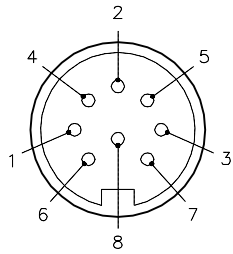
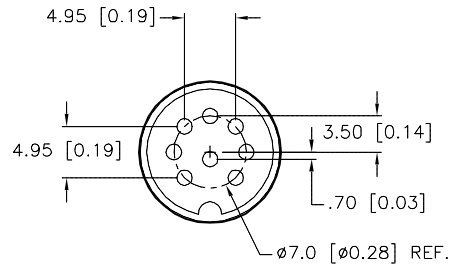


FEMALE END VIEW



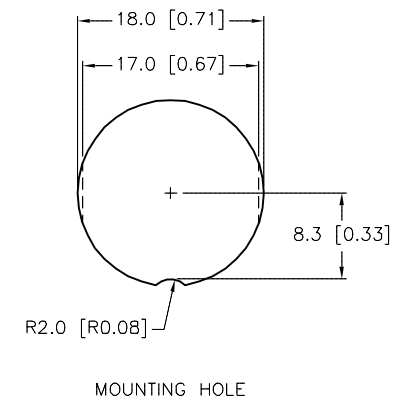
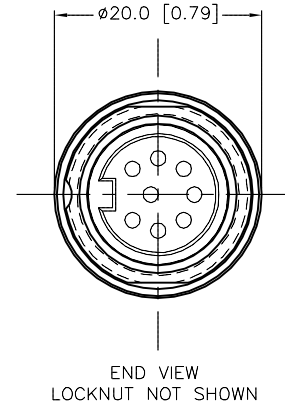
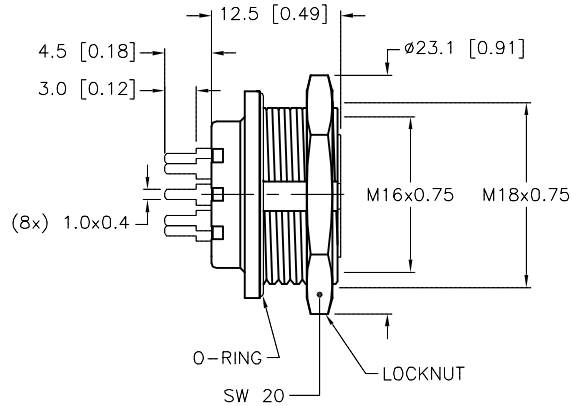
M16 connector

PCB BOARD LAYOUT



SPECIFICATIONS

CONTACT CARRIER MATERIAL	PBT
CONTACT MATERIAL/PLATING	BRASS/GOLD
HOUSING MATERIAL/PLATING	DIE-CAST ZINC/NICKEL
RATED CURRENT [A]	5.0 A
RATED VOLTAGE [V]	60 V AC/DC
CONDUCTORS	PCB PINS
TEMPERATURE RANGE	-30°C to +80°C (-22°F to +176°F)
PROTECTION CLASS	MEETS IEC IP67
MAX PANEL THICKNESS	4.5mm [0.18"]



SOURCE DRAWING - FOR REFERENCE ONLY

RELATED DOCUMENTS		3RD ANGLE PROJECTION		THIS DRAWING IS CONFIDENTIAL AND THE PROPERTY OF TURCK INC. USE OF THIS DOCUMENT WITHOUT WRITTEN PERMISSION IS PROHIBITED.		<p>3000 CAMPUS DRIVE MINNEAPOLIS, MN 55441 1-800-544-7769 (763) 553-7300 (763) 553-0708 fax www.turck.us</p>	
1.			DRFT RDS DATE 04/03/07 APVD SCALE 1=.7	DESCRIPTION BKFD 8-PCB			
2.				UNIT OF MEASUREMENT MILLIMETER [INCH]		IDENTIFICATION NO. U2-05848	
3.		ALL DIMENSIONS DISPLAYED ON THIS DRAWING ARE FOR REFERENCE ONLY		CONTACT TURCK FOR MORE INFORMATION		FILE: U2-05848	
4.		SEE SPECIFICATIONS		DO NOT SCALE THIS DRAWING		SHEET 1 OF 1	
MATERIAL		SEE SPECIFICATIONS		SEE SPECIFICATIONS			
FINISH		SEE SPECIFICATIONS		SEE SPECIFICATIONS			

B	UPDATE CONTACT CARRIER SPECIFICATION	KMY	09/23/13	43385
REV	DESCRIPTION	BY	DATE	ECO NO.