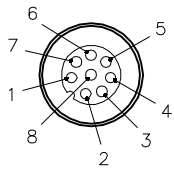
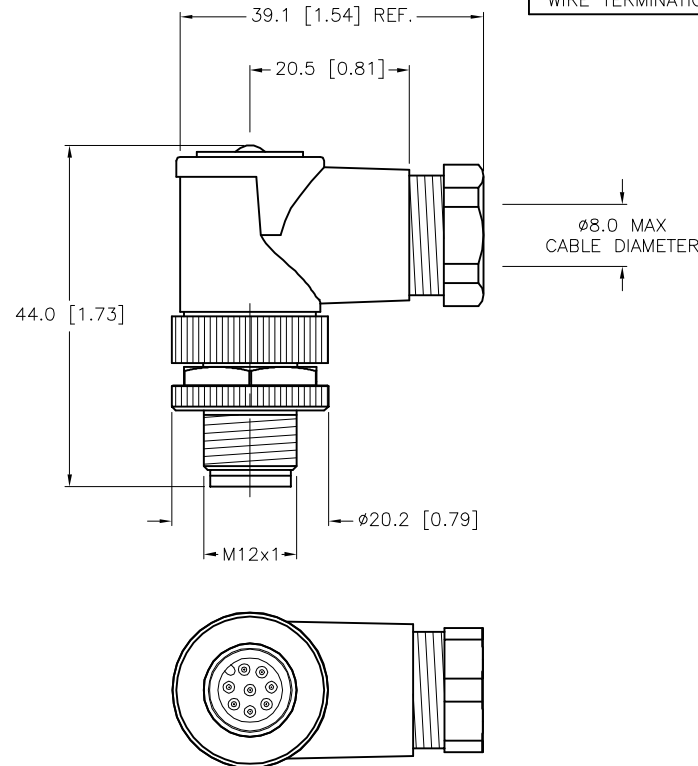


MALE END VIEW



SPECIFICATIONS

CONTACT CARRIER MATERIAL/COLOR	NYLON/BLACK
CONTACT MATERIAL/PLATING	BRASS/GOLD
COUPLING NUT MATERIAL/PLATING	BRASS/NICKEL
RATED CURRENT [A]	2.0 A
RATED VOLTAGE [V]	60 VAC/75 VDC
MAXIMUM WIRE SIZE	18 AWG
CABLE GRIP RANGE	6-8mm
TEMPERATURE RANGE	-40°C to +85°C (-40°F to +185°F)
PROTECTION CLASS	IEC IP67
WIRE TERMINATION	SCREW TERMINALS



SOURCE DRAWING - FOR REFERENCE ONLY

RELATED DOCUMENTS		3RD ANGLE PROJECTION		THIS DRAWING IS CONFIDENTIAL AND THE PROPERTY OF TURCK INC. USE OF THIS DOCUMENT WITHOUT WRITTEN PERMISSION IS PROHIBITED.		3000 CAMPUS DRIVE MINNEAPOLIS, MN 55441 1-800-544-7769 (763) 553-7300 (763) 553-0708 fax www.turck.us	
1. 2. 3. 4.				DRFT RDS DATE 09/06/07 APVD SCALE 1=1.0		DESCRIPTION BS 8281-0	
MATERIAL		ALL DIMENSIONS DISPLAYED ON THIS DRAWING ARE FOR REFERENCE ONLY		UNIT OF MEASUREMENT		IDENTIFICATION NO.	
SEE SPECIFICATIONS		CONTACT TURCK FOR MORE INFORMATION		MILLIMETER [ INCH ]		REV	
FINISH		DO NOT SCALE THIS DRAWING		U2-07334		D	
SEE SPECIFICATIONS		FILE: U2-07334		SHEET 1 OF 1			

D	UPDATE CONTACT HOLDER TO 8-PIN	RDS	12/14/20	76364
REV	DESCRIPTION	BY	DATE	ECO NO.