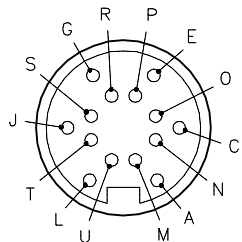


FEMALE END VIEW

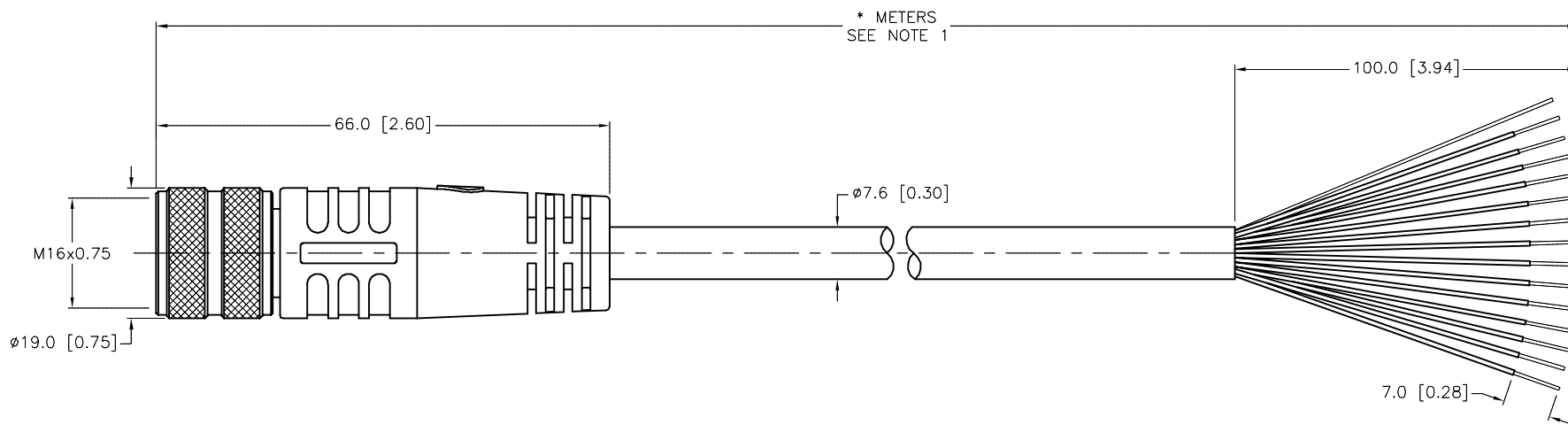


- A = BROWN
- C = RED/BLUE
- E = BLACK
- G = PINK
- J = GREEN
- L = BLUE
- M = ORANGE
- N = GREY/BROWN
- O = VIOLET
- P = WHITE
- R = RED
- S = GREY
- T = YELLOW
- U = TAN

M16 connector

SPECIFICATIONS

CONTACT CARRIER MATERIAL	TPU
MOLDED HEAD MATERIAL/COLOR	TPU/YELLOW
CONTACT MATERIAL/PLATING	BRASS/GOLD
COUPLING NUT MATERIAL	BRASS/NICKEL
RATED CURRENT [A]	3.0 A
RATED VOLTAGE [V]	30 VAC/VDC
OUTER JACKET MATERIAL/COLOR	TPU/BLACK
CONDUCTOR INSULATION MATERIAL	PVC
NUMBER OF CONDUCTORS [AWG]	14x22 AWG
DRAIN/SHIELD	24 AWG/ALUMINUM-POLYESTER FOIL
TEMPERATURE RANGE	-40°C TO +90°C (-40°F TO +194°F)
PROTECTION CLASS	MEETS IEC IP67



\* METERS  
SEE NOTE 1

CABLE LENGTH	TOLERANCE *
ALL LENGTHS	+ 4% (OR 50mm) OF LENGTH - 0% (OR 0mm) OF LENGTH WHICHEVER IS GREATER
STRIP LENGTH	TOLERANCE *
0-7mm	±0.5mm
8-29mm	±1.0mm
30-49mm	±2.0mm
50-69mm	±3.0mm
70-100mm	±4.0mm
OVER 100mm	±5.0mm

**\* UNLESS OTHERWISE SPECIFIED**

SOURCE DRAWING - FOR REFERENCE ONLY

NOTES:

- "\*" INDICATES CABLE LENGTH IN METERS. CONTACT TURCK TO ORDER SPECIFIC LENGTHS.

RELATED DOCUMENTS 1. 2. 3. 4.	3RD ANGLE PROJECTION 	THIS DRAWING IS CONFIDENTIAL AND THE PROPERTY OF TURCK INC. USE OF THIS DOCUMENT WITHOUT WRITTEN PERMISSION IS PROHIBITED.		3000 CAMPUS DRIVE MINNEAPOLIS, MN 55441 1-800-544-7769 (763) 553-7300 (763) 553-0708 fax www.turck.us	
		DRFT	JB	DATE	07/21/03
MATERIAL	SEE SPECIFICATIONS	APVD		SCALE	1=1.0
FINISH	SEE SPECIFICATIONS	UNIT OF MEASUREMENT <b>MILLIMETER [ INCH ]</b>		IDENTIFICATION NO.	
		CONTACT TURCK FOR MORE INFORMATION		REV G	
		DO NOT SCALE THIS DRAWING		FILE: 777002143	
				SHEET 1 OF 1	

G	UPDATE TEMPERATURE SPEC	RDS	06/16/14	46230
REV	DESCRIPTION	BY	DATE	ECO NO.