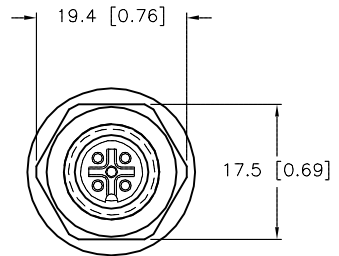
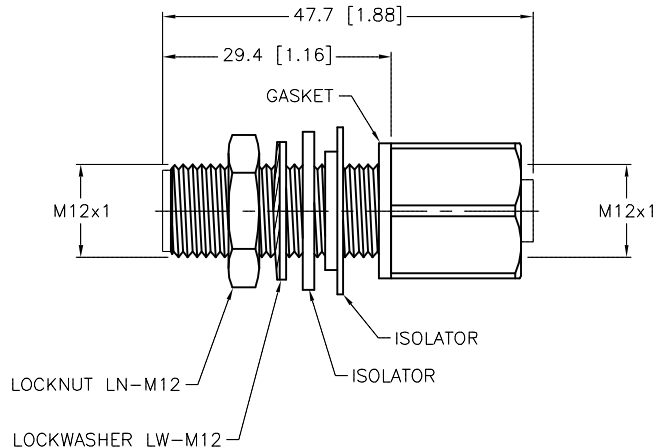
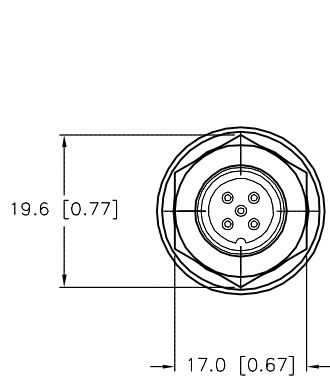
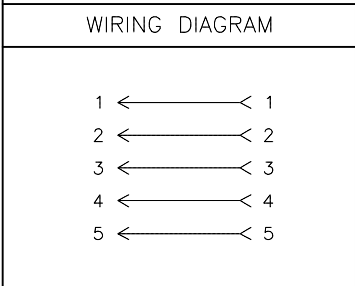


SPECIFICATIONS	
CONTACT CARRIER MATERIAL	NYLON OR TPU
CONTACT MATERIAL/PLATING	BRASS/GOLD
HOUSING MATERIAL/PLATING	BRASS/NICKEL
RATED CURRENT [A]	4.0 A
RATED VOLTAGE [V]	150 V
TEMPERATURE RANGE	-40°C to +80°C (-40°F to +176°F)
PROTECTION CLASS	MEETS NEMA 1,3,4,6P AND IEC IP68
GASKET MATERIAL	NITRILE (BUNA N)
ISOLATOR MATERIAL	NYLON



SOURCE DRAWING - FOR REFERENCE ONLY

NOTES:

1. CONNECTOR KEYWAY POSITIONS ARE REFERENCE ONLY. KEYWAYS MAY BE IN ANY POSITION.

<p>RELATED DOCUMENTS</p> <ol style="list-style-type: none"> <li>1.</li> <li>2.</li> <li>3.</li> <li>4.</li> </ol>	<p>3RD ANGLE PROJECTION</p>	<p>THIS DRAWING IS CONFIDENTIAL AND THE PROPERTY OF TURCK INC. USE OF THIS DOCUMENT WITHOUT WRITTEN PERMISSION IS PROHIBITED.</p>		<p>3000 CAMPUS DRIVE MINNEAPOLIS, MN 55441 1-800-544-7769 (763) 553-7300 (763) 553-0708 fax turck.com</p>		
		<p>MATERIAL</p> <p>SEE SPECIFICATIONS</p>	<p>DRFT IK</p> <p>APVD</p>	<p>DATE 7/13/98</p> <p>SCALE 1=1.0</p>	<p>DESCRIPTION</p> <p>FK FS 4.5/M12</p>	
		<p>FINISH</p> <p>SEE SPECIFICATIONS</p>	<p>UNIT OF MEASUREMENT</p> <p><b>MILLIMETER [ INCH ]</b></p>	<p>IDENTIFICATION NO.</p> <p>U1135</p>		<p>REV</p> <p>G</p>
		<p>CONTACT TURCK FOR MORE INFORMATION</p>		<p>DO NOT SCALE THIS DRAWING</p>		<p>FILE: U1135</p>

G	ADD KEYWAY NOTE	NF	06/15/15	49971
REV	DESCRIPTION	BY	DATE	ECO NO.