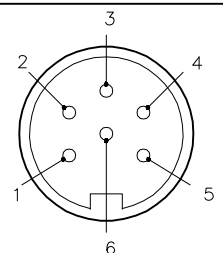
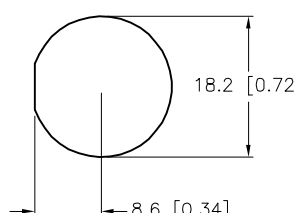
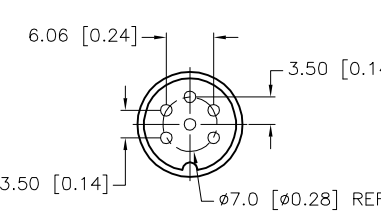
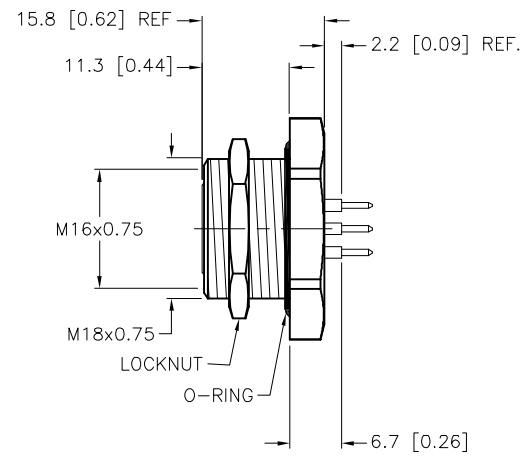
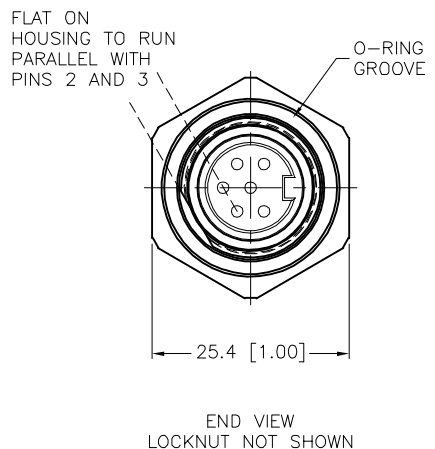
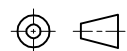


FEMALE END VIEW	PANEL CUTOUT	PCB BOARD LAYOUT	SPECIFICATIONS																					
 <p>M16 connector</p>			<table border="1"> <tr><td>CONTACT CARRIER MATERIAL/COLOR</td><td>TPU/BLACK</td></tr> <tr><td>CONTACT MATERIAL/PLATING</td><td>BRASS/GOLD</td></tr> <tr><td>HOUSING MATERIAL/PLATING</td><td>BRASS/NICKEL</td></tr> <tr><td>O-RING MATERIAL</td><td>NITRILE</td></tr> <tr><td>RATED CURRENT [A]</td><td>7.0 A</td></tr> <tr><td>RATED VOLTAGE [V]</td><td>300 VAC/VDC</td></tr> <tr><td>CONDUCTORS</td><td>PRINTED CIRCUIT PINS</td></tr> <tr><td>TEMPERATURE RANGE</td><td>-40°C to +105°C (-40°F to +221°F)</td></tr> <tr><td>PROTECTION CLASS</td><td>MEETS NEMA IEC IP67</td></tr> <tr><td>PANEL THICKNESS</td><td>MIN: 2.0mm, MAX: 8.0mm</td></tr> </table>	CONTACT CARRIER MATERIAL/COLOR	TPU/BLACK	CONTACT MATERIAL/PLATING	BRASS/GOLD	HOUSING MATERIAL/PLATING	BRASS/NICKEL	O-RING MATERIAL	NITRILE	RATED CURRENT [A]	7.0 A	RATED VOLTAGE [V]	300 VAC/VDC	CONDUCTORS	PRINTED CIRCUIT PINS	TEMPERATURE RANGE	-40°C to +105°C (-40°F to +221°F)	PROTECTION CLASS	MEETS NEMA IEC IP67	PANEL THICKNESS	MIN: 2.0mm, MAX: 8.0mm	
CONTACT CARRIER MATERIAL/COLOR	TPU/BLACK																							
CONTACT MATERIAL/PLATING	BRASS/GOLD																							
HOUSING MATERIAL/PLATING	BRASS/NICKEL																							
O-RING MATERIAL	NITRILE																							
RATED CURRENT [A]	7.0 A																							
RATED VOLTAGE [V]	300 VAC/VDC																							
CONDUCTORS	PRINTED CIRCUIT PINS																							
TEMPERATURE RANGE	-40°C to +105°C (-40°F to +221°F)																							
PROTECTION CLASS	MEETS NEMA IEC IP67																							
PANEL THICKNESS	MIN: 2.0mm, MAX: 8.0mm																							



SOURCE DRAWING - FOR REFERENCE ONLY

RELATED DOCUMENTS 1. 2. 3. 4.	3RD ANGLE PROJECTION 	THIS DRAWING IS CONFIDENTIAL AND THE PROPERTY OF TURCK INC. USE OF THIS DOCUMENT WITHOUT WRITTEN PERMISSION IS PROHIBITED.	3000 CAMPUS DRIVE MINNEAPOLIS, MN 55441 1-800-544-7769 (763) 553-7300 (763) 553-0708 fax www.turck.us	
MATERIAL  SEE SPECIFICATION	ALL DIMENSIONS DISPLAYED ON THIS DRAWING ARE FOR REFERENCE ONLY	DRFT CK DATE 08/24/11 APVD SCALE 1=1.0	DESCRIPTION BKFD 6-PCB/M18	
FINISH  SEE SPECIFICATION	CONTACT TURCK FOR MORE INFORMATION	UNIT OF MEASUREMENT <b>MILLIMETER [ INCH ]</b> DO NOT SCALE THIS DRAWING		IDENTIFICATION NO. U2-19204 REV A FILE: U2-19204 SHEET 1 OF 1

A	DRAWING RELEASE	CK 09/01/11	
REV	DESCRIPTION	BY DATE	ECO NO.