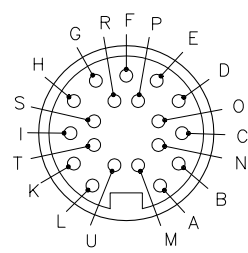


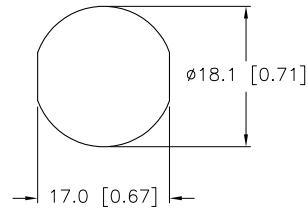
FEMALE END VIEW



- A = BLUE
- B = GRAY/PINK
- C = RED/BLUE
- D = WHITE/GREEN
- E = BLACK
- F = BROWN/GREEN
- G = PINK
- H = WHITE/YELLOW
- I = GREEN
- K = YELLOW/BROWN
- L = BROWN
- M = ORANGE
- N = GRAY/BROWN
- O = VIOLET
- P = WHITE
- R = RED
- S = GRAY
- T = YELLOW
- U = TAN

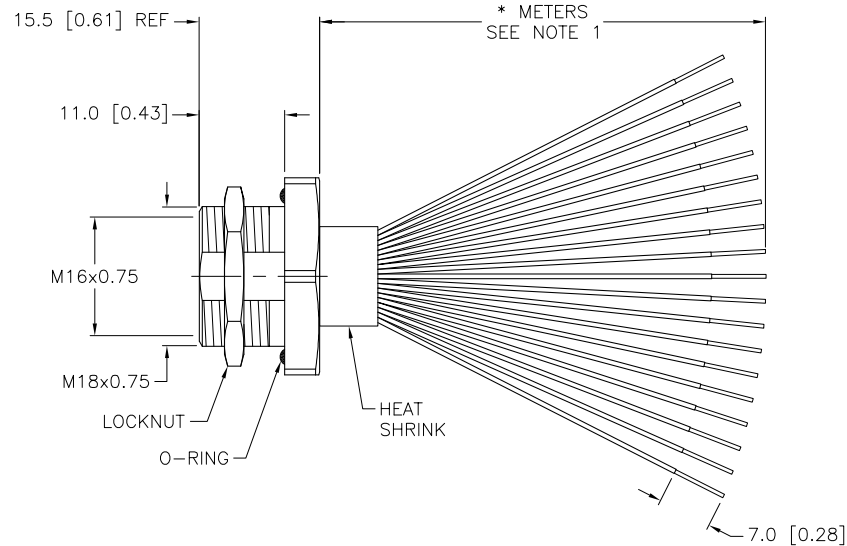
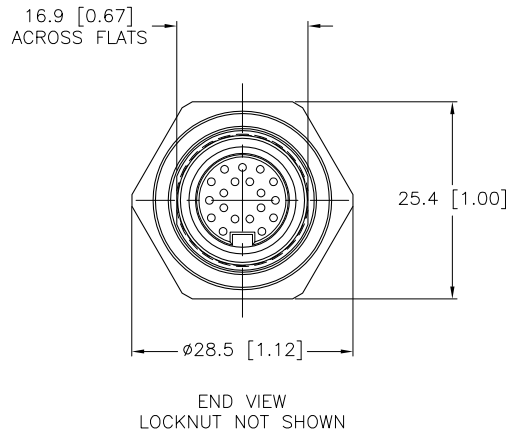
M16 connector

PANEL CUTOUT



SPECIFICATIONS

CONTACT CARRIER MATERIAL/COLOR	TPU/BLACK
CONTACT MATERIAL/PLATING	BRASS/GOLD
HOUSING, LOCKNUT MATERIAL/PLATING	BRASS/NICKEL
O-RING MATERIAL	NITRILE (BUNA N)
RATED CURRENT [A]	3.0 A
RATED VOLTAGE [V]	30 VAC/VDC
CONDUCTOR INSULATION MATERIAL	PVC
NUMBER OF CONDUCTORS [AWG]	19x22 AWG
TEMPERATURE RANGE	-40°C to +105°C (-40°F to +221°F)
PROTECTION CLASS	MEETS NEMA IEC IP67
MAXIMUM PANEL THICKNESS	3.0 [0.118]



CABLE LENGTH	TOLERANCE
ALL LENGTHS	+ 4% (OR 50mm) OF LENGTH - 0% (OR 0mm) OF LENGTH WHICHEVER IS GREATER
STRIP LENGTH	TOLERANCE
0-7mm	±0.5mm
8-29mm	±1.0mm
30-49mm	±2.0mm
50-69mm	±3.0mm
70-100mm	±4.0mm
OVER 100mm	±5.0mm

NOTES:

1. "\*" INDICATES LEAD LENGTH IN METERS. CONTACT TURCK TO ORDER SPECIFIC LENGTH.

SOURCE DRAWING - FOR REFERENCE ONLY

RELATED DOCUMENTS 1. 2. 3. 4.	3RD ANGLE PROJECTION 	THIS DRAWING IS PROPERTY OF TURCK INC. USE OF THIS DOCUMENT WITHOUT WRITTEN PERMISSION IS PROHIBITED.		3000 CAMPUS DRIVE MINNEAPOLIS, MN 55441 1-800-544-7769 (763) 553-7300 (763) 553-0708 fax turck.com	
	MATERIAL SEE SPECIFICATION	DRFT RWC	DATE 10/04/04	DESCRIPTION BKFD 19-19-*/M18	
FINISH SEE SPECIFICATION	ALL DIMENSIONS DISPLAYED ON THIS DRAWING ARE FOR REFERENCE ONLY	DSGN	SCALE 1=1.0	UNIT OF MEASUREMENT MILLIMETER [ INCH ]	IDENTIFICATION NO. REV D
DO NOT SCALE THIS DRAWING		FILE: 777009813		SHEET 1 OF 1	

D	UPDATE RECEPTACLE GRAPHICS, SEE ECO	RWC	01/10/11	32695
REV	DESCRIPTION	BY	DATE	ECO NO.