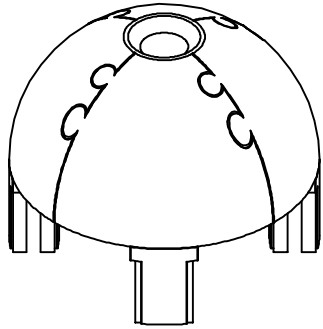
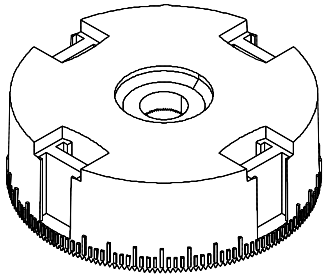


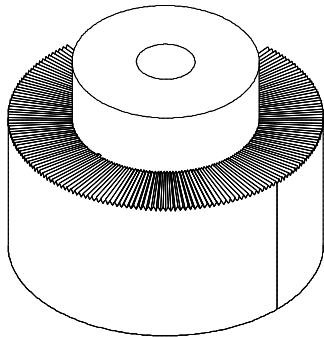
**DOME
(YEL/BLK)**



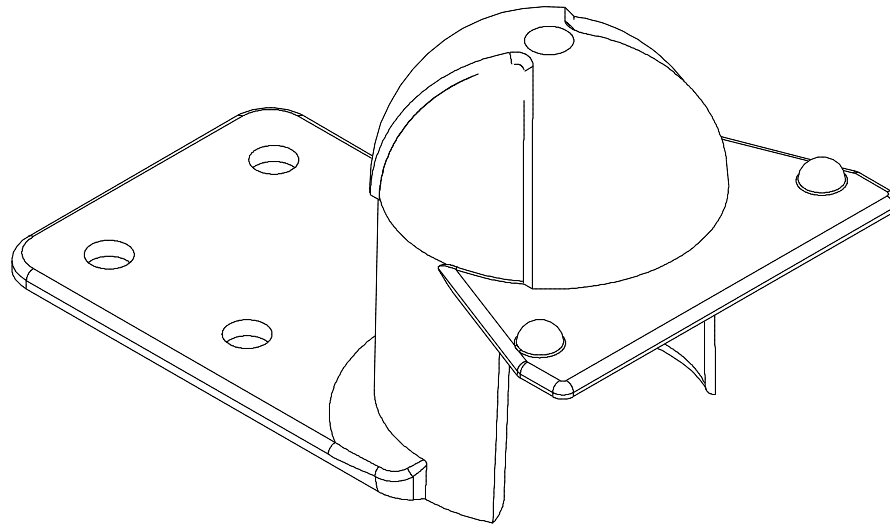
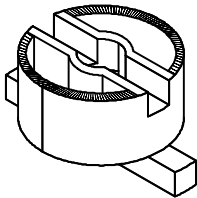
TOP



BOTTOM



INSERT




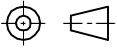
DOME COVER

NOTES:

1. HARDWARE INCLUDES:

- (4x) 10-32x0.5" SOCKET CAP SCREWS, SST
- (4x) #10 SPLIT LOCK WASHER, SST
- (1x) M6x25 CAP SCREW, SST

SOURCE DRAWING - FOR REFERENCE ONLY

RELATED DOCUMENTS		3RD ANGLE PROJECTION		THIS DRAWING IS CONFIDENTIAL AND THE PROPERTY OF TURCK INC. USE OF THIS DOCUMENT WITHOUT WRITTEN PERMISSION IS PROHIBITED.		 3000 CAMPUS DRIVE MINNEAPOLIS, MN 55441 1-800-544-7769 (763) 553-7300 (763) 553-0708 fax www.turck.us	
1. 2. 3. 4.				DRFT	RDS	DATE	07/29/10
MATERIAL		ALL DIMENSIONS DISPLAYED ON THIS DRAWING ARE FOR REFERENCE ONLY		DSGN		SCALE	1=1.0
SEE SPECIFICATIONS		CONTACT TURCK FOR MORE INFORMATION		UNIT OF MEASUREMENT		DESCRIPTION	
FINISH		SEE SPECIFICATIONS		MILLIMETER [INCH]		BTS-DSU35-EBE3 DOME/COVER YE/BK KIT-US	
				DO NOT SCALE THIS DRAWING		IDENTIFICATION NO.	
						A9637	
A DRAWING RELEASE		RDS 07/29/10				REV	
REV DESCRIPTION		BY DATE ECO NO.				A	
						FILE: A9637	
						SHEET 1 OF 1	

A	DRAWING RELEASE	RDS	07/29/10	
REV	DESCRIPTION	BY	DATE	ECO NO.