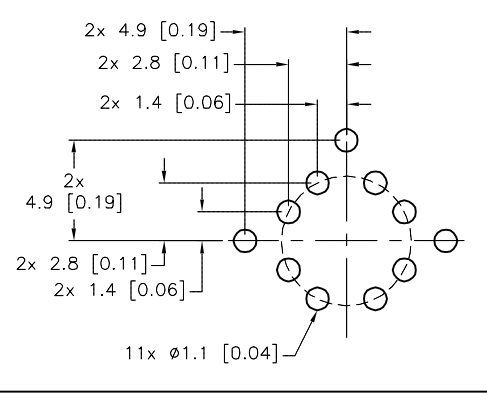
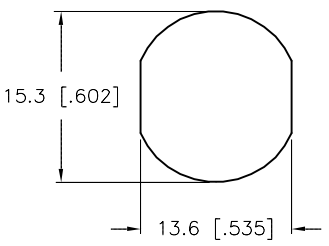
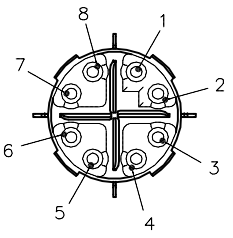


FEMALE END VIEW

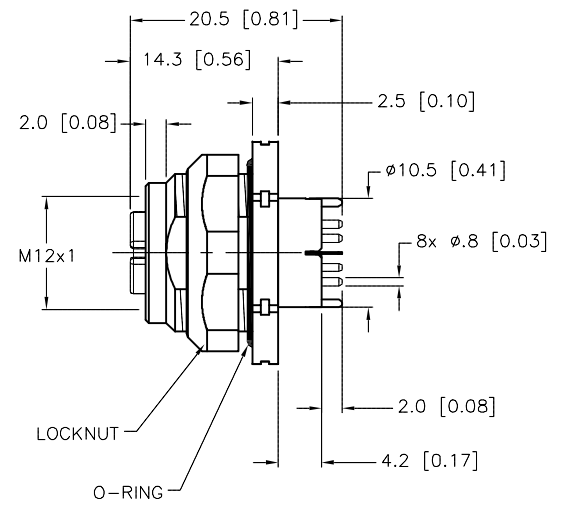
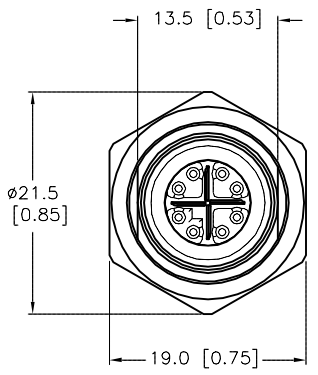
TYPICAL PANEL CUTOUT

TYPICAL BOARD LAYOUT

SPECIFICATIONS



CONTACT CARRIER MATERIAL	PA
CONTACT MATERIAL/PLATING	BRASS/GOLD
HOUSING MATERIAL/COLOR	BRASS/NICKEL
O-RING MATERIAL	BUNA-N
RATED CURRENT [A]	0.5 A
RATED VOLTAGE [V]	48V
NUMBERS OF CONDUCTORS [AWG]	8 PRINTED CIRCUIT PINS
TEMPERATURE RATING	-40°C to +80°C (-40°F to +176°F)
PROTECTION CLASS	MEETS IEC IP67



SOURCE DRAWING - FOR REFERENCE ONLY

NOTES:  
1. TURCK EQUIVALENT: FKFDKX 86-PCB

RELATED DOCUMENTS 1. 2. 3. 4.	3RD ANGLE PROJECTION	THIS DRAWING IS CONFIDENTIAL AND THE PROPERTY OF TURCK INC. USE OF THIS DOCUMENT WITHOUT WRITTEN PERMISSION IS PROHIBITED.	3000 CAMPUS DRIVE MINNEAPOLIS, MN 55441 1-800-544-7769 (763) 553-7300 (763) 553-0708 fax www.turck.us	
	DRFT RDS		DATE 08/24/12	DESCRIPTION FKFDKX 86-PCB
	APVD A.A.		SCALE 1=.8	
	MATERIAL SEE SPECIFICATIONS		ALL DIMENSIONS DISPLAYED ON THIS DRAWING ARE FOR REFERENCE ONLY	UNIT OF MEASUREMENT <b>MILLIMETER [ INCH ]</b>
FINISH SEE SPECIFICATIONS	CONTACT TURCK FOR MORE INFORMATION	IDENTIFICATION NO. U2-20078		
D UPDATE TEMPERATURE SPECS	RDS 06/14/18	65785	REV D	
REV DESCRIPTION	BY DATE	ECO NO.	DO NOT SCALE THIS DRAWING	
			FILE: U2-20078	SHEET 1 OF 1