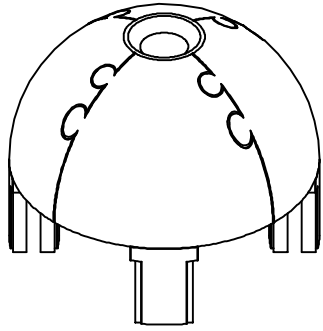
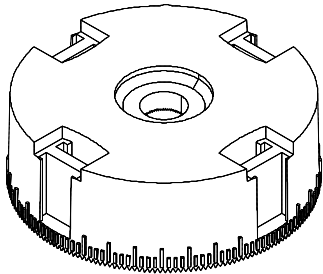


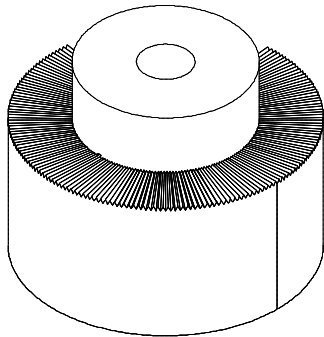
**DOME
(RED/GRN)**



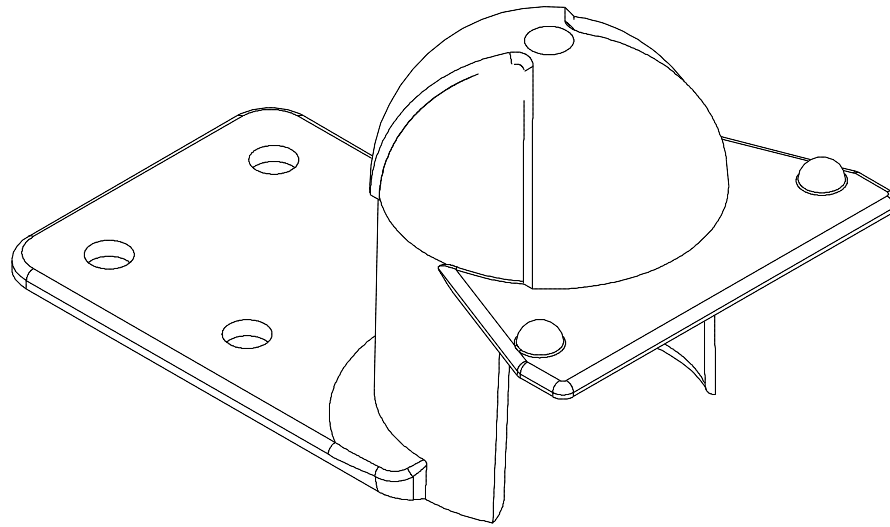
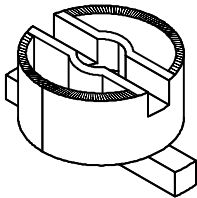
TOP



BOTTOM



INSERT



DOME COVER

NOTES:

1. HARDWARE INCLUDES:

- (4x) 10-32x0.5" SOCKET CAP SCREWS, SST
- (4x) #10 SPLIT LOCK WASHER, SST
- (1x) M6x25 CAP SCREW, SST

SOURCE DRAWING - FOR REFERENCE ONLY

RELATED DOCUMENTS		3RD ANGLE PROJECTION	THIS DRAWING IS CONFIDENTIAL AND THE PROPERTY OF TURCK INC. USE OF THIS DOCUMENT WITHOUT WRITTEN PERMISSION IS PROHIBITED.		3000 CAMPUS DRIVE MINNEAPOLIS, MN 55441 1-800-544-7769 (763) 553-7300 (763) 553-0708 fax www.turck.us	
1. 2. 3. 4.			DRFT	RDS	DATE	07/29/10
MATERIAL		ALL DIMENSIONS DISPLAYED ON THIS DRAWING ARE FOR REFERENCE ONLY	DSGN	SCALE		1=1.0
SEE SPECIFICATIONS			UNIT OF MEASUREMENT		DESCRIPTION	
FINISH		CONTACT TURCK FOR MORE INFORMATION	MILLIMETER [INCH]		BTS-DSU35-EBE3 DOME/COVER RD/GN KIT-US	
SEE SPECIFICATIONS			DO NOT SCALE THIS DRAWING		IDENTIFICATION NO.	
A		DRAWING RELEASE		RDS	07/29/10	REV
REV		DESCRIPTION		BY	DATE	ECO NO.
				A9635		A
				FILE: A9635		SHEET 1 OF 1