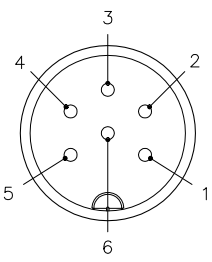
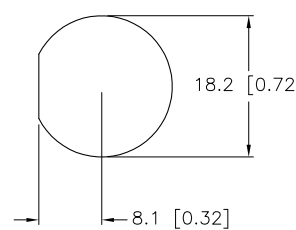
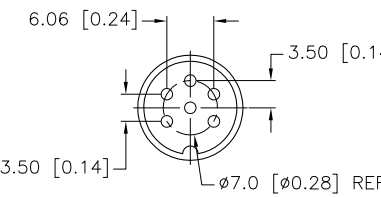
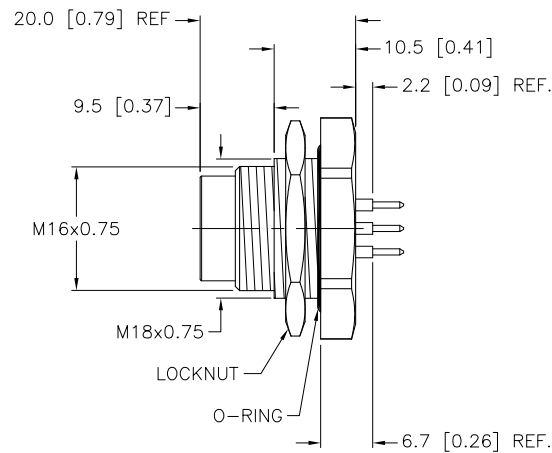
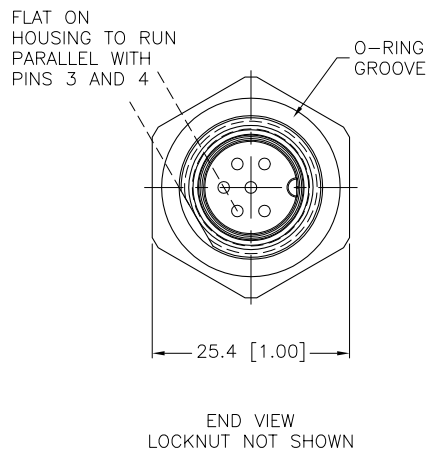
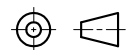


MALE END VIEW	PANEL CUTOUT	PCB BOARD LAYOUT	SPECIFICATIONS																					
 <p>M16 connector</p>			<table border="1"> <tr><td>CONTACT CARRIER MATERIAL/COLOR</td><td>TPU/BLACK</td></tr> <tr><td>CONTACT MATERIAL/PLATING</td><td>BRASS/GOLD</td></tr> <tr><td>HOUSING MATERIAL/PLATING</td><td>BRASS/NICKEL</td></tr> <tr><td>O-RING MATERIAL</td><td>NITRILE (BUNA N)</td></tr> <tr><td>RATED CURRENT [A]</td><td>7.0 A</td></tr> <tr><td>RATED VOLTAGE [V]</td><td>300 VAC/VDC</td></tr> <tr><td>CONDUCTORS</td><td>PRINTED CIRCUIT PINS</td></tr> <tr><td>TEMPERATURE RANGE</td><td>-40°C to +105°C (-40°F to +221°F)</td></tr> <tr><td>PROTECTION CLASS</td><td>MEETS NEMA IEC IP67</td></tr> <tr><td>PANEL THICKNESS</td><td>1.5mm (MIN.), 3.5mm (MAX.)</td></tr> </table>	CONTACT CARRIER MATERIAL/COLOR	TPU/BLACK	CONTACT MATERIAL/PLATING	BRASS/GOLD	HOUSING MATERIAL/PLATING	BRASS/NICKEL	O-RING MATERIAL	NITRILE (BUNA N)	RATED CURRENT [A]	7.0 A	RATED VOLTAGE [V]	300 VAC/VDC	CONDUCTORS	PRINTED CIRCUIT PINS	TEMPERATURE RANGE	-40°C to +105°C (-40°F to +221°F)	PROTECTION CLASS	MEETS NEMA IEC IP67	PANEL THICKNESS	1.5mm (MIN.), 3.5mm (MAX.)	
CONTACT CARRIER MATERIAL/COLOR	TPU/BLACK																							
CONTACT MATERIAL/PLATING	BRASS/GOLD																							
HOUSING MATERIAL/PLATING	BRASS/NICKEL																							
O-RING MATERIAL	NITRILE (BUNA N)																							
RATED CURRENT [A]	7.0 A																							
RATED VOLTAGE [V]	300 VAC/VDC																							
CONDUCTORS	PRINTED CIRCUIT PINS																							
TEMPERATURE RANGE	-40°C to +105°C (-40°F to +221°F)																							
PROTECTION CLASS	MEETS NEMA IEC IP67																							
PANEL THICKNESS	1.5mm (MIN.), 3.5mm (MAX.)																							



SOURCE DRAWING - FOR REFERENCE ONLY

RELATED DOCUMENTS 1. 2. 3. 4.		3RD ANGLE PROJECTION 	THIS DRAWING IS CONFIDENTIAL AND THE PROPERTY OF TURCK INC. USE OF THIS DOCUMENT WITHOUT WRITTEN PERMISSION IS PROHIBITED.	<div style="text-align: right;"> <p>3000 CAMPUS DRIVE MINNEAPOLIS, MN 55441 1-800-544-7769 (763) 553-7300 (763) 553-0708 fax turck.com</p> </div> <p><b>TURCK INC</b> High Technology Sensors and Automation Controls</p>		
MATERIAL  SEE SPECIFICATION	ALL DIMENSIONS DISPLAYED ON THIS DRAWING ARE FOR REFERENCE ONLY	DRFT RDS	DATE 10/05/09	DESCRIPTION BSFD 6-PCB/M18		
FINISH  SEE SPECIFICATION	CONTACT TURCK FOR MORE INFORMATION	DSGN  UNIT OF MEASUREMENT <b>MILLIMETER [ INCH ]</b>  DO NOT SCALE THIS DRAWING		SCALE 1=1.0	IDENTIFICATION NO. U2-16551 REV A	
A DRAWING RELEASE	RDS 08/26/11	BY	DATE	ECO NO.	FILE: U2-16551	SHEET 1 OF 1