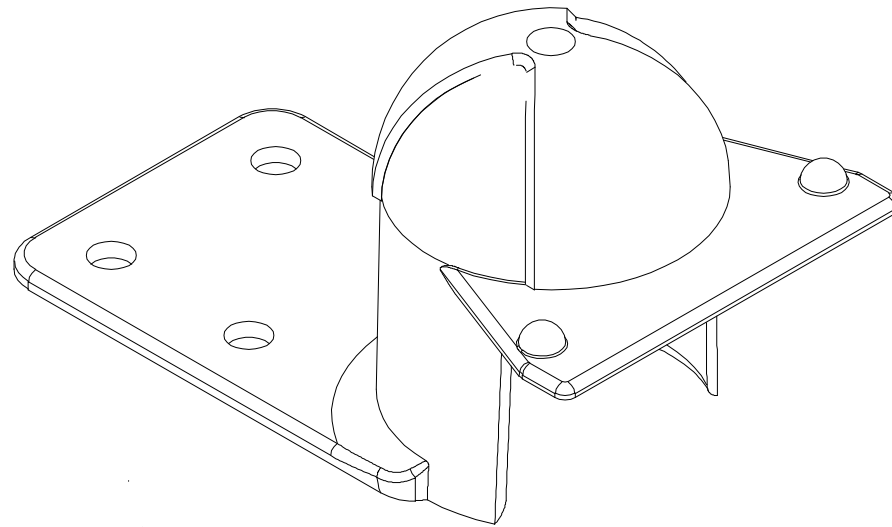
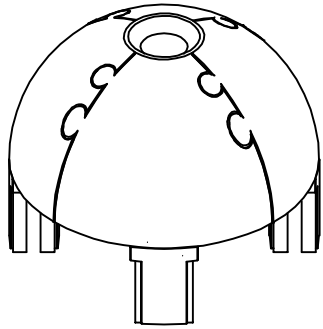
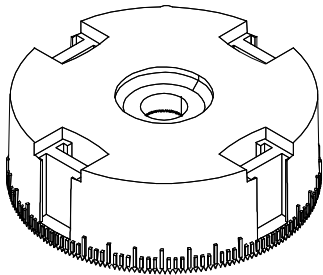


**DOME
(RED/GRN)**

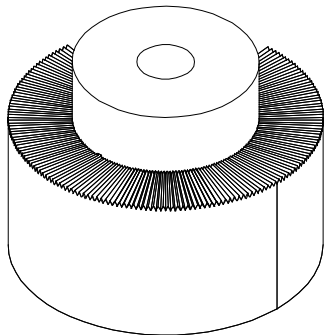


TOP

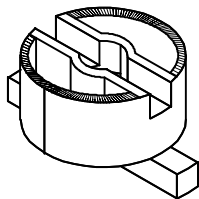


DOME COVER

BOTTOM



INSERT



NOTES:

1. HARDWARE INCLUDES:

- (4x) M5x12" SOCKET CAP SCREWS, SST
- (4x) M5 WAVE WASHER, SST
- (1x) M6x25 CAP SCREW, SST

SOURCE DRAWING - FOR REFERENCE ONLY

RELATED DOCUMENTS		3RD ANGLE PROJECTION		THIS DRAWING IS CONFIDENTIAL AND THE PROPERTY OF TURCK INC. USE OF THIS DOCUMENT WITHOUT WRITTEN PERMISSION IS PROHIBITED.		3000 CAMPUS DRIVE MINNEAPOLIS, MN 55441 1-800-544-7769 (763) 553-7300 (763) 553-0708 fax www.turck.us	
1. 2. 3. 4.				DRFT RDS		DATE 07/29/10	
MATERIAL		ALL DIMENSIONS DISPLAYED ON THIS DRAWING ARE FOR REFERENCE ONLY		APVD		SCALE 1=1.0	
SEE SPECIFICATIONS		CONTACT TURCK FOR MORE INFORMATION		UNIT OF MEASUREMENT		DESCRIPTION	
FINISH		MILLIMETER [INCH]		DO NOT SCALE THIS DRAWING		BTS-DSU35-EBE3 DOME/COVER RD/GN KIT	
SEE SPECIFICATIONS						IDENTIFICATION NO.	
						A9636	
A DRAWING RELEASE		RDS 07/29/10				REV	
REV DESCRIPTION		BY DATE ECO NO.				A	
						FILE: A9636	
						SHEET 1 OF 1	