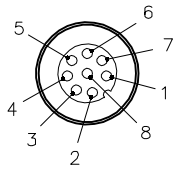
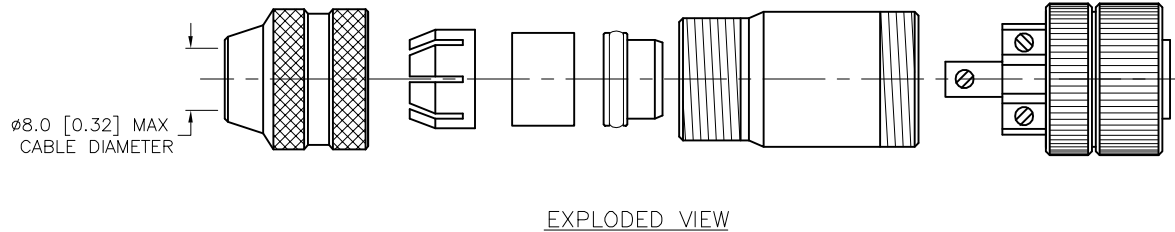
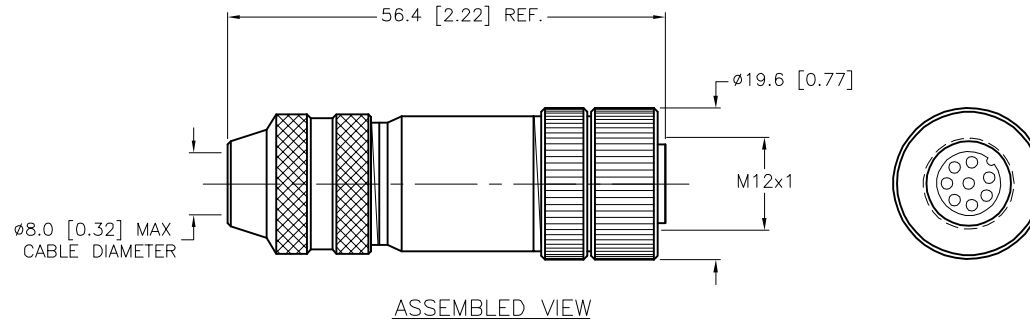


FEMALE END VIEW



SPECIFICATIONS

| | |
|-------------------------------|----------------------------------|
| CONTACT MATERIAL/PLATING | BRASS/GOLD |
| COUPLING NUT MATERIAL/PLATING | BRASS/NICKEL |
| RATED CURRENT [A] | 2.0 A |
| RATED VOLTAGE [V] | 60 V |
| MAXIMUM WIRE SIZE | 18 AWG |
| CABLE GRIP RANGE | 6-8mm |
| TEMPERATURE RATING | -40°C to +85°C (-40°F to +185°F) |
| PROTECTION CLASS | IEC IP67 |
| WIRE TERMINATION | SCREW TERMINAL |



SOURCE DRAWING - FOR REFERENCE ONLY

ALL METAL SHIELDED FIELD WIREABLE CONNECTOR

| | | | | | | | |
|----------------------|--|---|--|--|--|--|--|
| RELATED DOCUMENTS | | 3RD ANGLE PROJECTION | | THIS DRAWING IS CONFIDENTIAL AND THE PROPERTY OF TURCK INC. USE OF THIS DOCUMENT WITHOUT WRITTEN PERMISSION IS PROHIBITED. | | 3000 CAMPUS DRIVE MINNEAPOLIS, MN 55441 1-800-544-7769 (763) 553-7300 (763) 553-0708 fax www.turck.us | |
| 1. 2. 3. 4. | | | | DRFT JBJ DATE 08/21/02 APVD SCALE 1=1.0 | | DESCRIPTION CMB 8181-0 | |
| MATERIAL | | ALL DIMENSIONS DISPLAYED ON THIS DRAWING ARE FOR REFERENCE ONLY | | UNIT OF MEASUREMENT | | IDENTIFICATION NO. | |
| SEE SPECIFICATIONS | | CONTACT TURCK FOR MORE INFORMATION | | MILLIMETER [INCH] | | O0885-23 | |
| FINISH | | DO NOT SCALE THIS DRAWING | | FILE: U0885-23 | | REV B | |
| SEE SPECIFICATIONS | | | | | | SHEET 1 OF 1 | |

| | | | | |
|-----|---|-----|----------|---------|
| B | REMOVE PARTS THAT WERE NOT PART OF ASSEMBLY | RDS | 04/05/17 | 59549 |
| REV | DESCRIPTION | BY | DATE | ECO NO. |