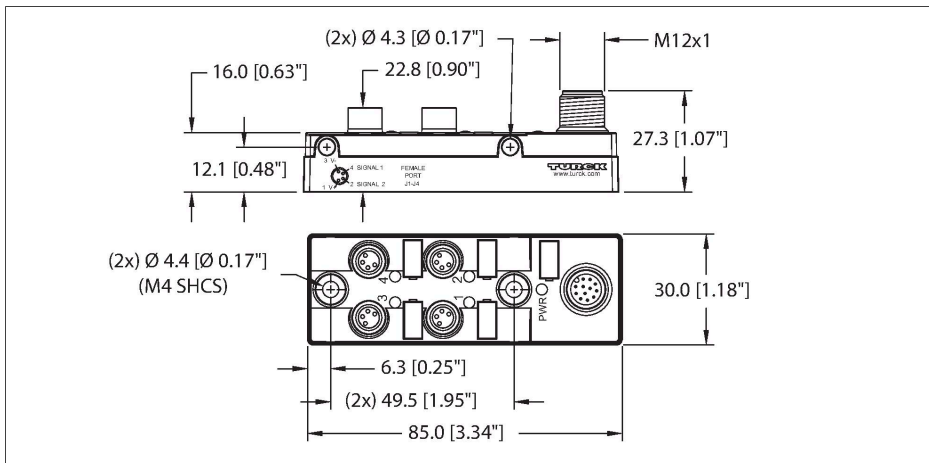


# TB-4M8M-4-FS12

## Junction Box - Actuator/Sensor, 4-port – M8 x 1 I/O port with M12 homerun



### Technical data

Type	TB-4M8M-4-FS12
ID	U2-28309
Distributed I/O	Junction box, 4, with M12 homerun connector
Housing	Plastic, PA 6 GF30, Black
I/O Port	Female, M8 × 1
Design specification	Acc. to IEC 61076-2-104
Number of contacts	4
Contacts	Brass, CuZn, Gold-plated
Contact carriers	Plastic, PA 4.6 GF30, Black
Connector seal	O-ring, Plastic, FKM/FPM
Housing material/finish	Brass, CuZn, Nickel-plated
Mechanical life	> 100 Mating cycles
Pollution degree	3
Protection class (When coupled)	IP67, IP68, IP69, IP69K NEMA: 1, 3, 4, 6P, 12
Homerun connector	Male, M12 × 1, Top exit, A-coded
Design specification	Acc. to IEC 61076-2-101
Number of contacts	12
Contacts	Brass, CuZn, Gold-plated
Contact carriers	Plastic, PA 4.6, Black
Tightening torque	0.8 ... 1 Nm (note max. torque of mating connector!)

### Features

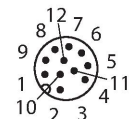


- Housing material: PA 6 GF30
- Housing color: Black
- Fully encapsulated
- Protection class: IP67, IP68, IP69, IP69K; NEMA: 1, 3, 4, 6P
- CE compliant
- RoHS compliant
- I/O port: 4-pin

### Contact assignment

I/O Connector

Homerun connector



## Technical data

Mechanical life	> 100 Mating cycles
Pollution degree	3
Protection class (When coupled)	IP67, IP68, IP69, IP69K
	NEMA: 1, 3, 4, 6P, 12
<b>Electrical properties at +20 °C</b>	
Rated voltage	30 VAC/DC
Rated voltage	AC/DC VDC
Current	2 A per contact, total current 2 A4 A total when using additional power connections (pins 11(v-), 12(v+))
<b>Mechanical and chemical properties</b>	
Approvals	CE UKCA RoHS
<b>Note</b>	
	- We reserve the right to make technical alterations without prior notice.

## Scope of delivery

Device	Quantity	Description
Junction boxes	1	Passive actuator/sensor junction box
PSGK-MC	2	Closure caps for M8 female connectors
KS5/10	5	Labels

## Accessories

Ident-No.	Part Number	Description
U2-31580	RKC 10T-5/S3477	Connection cordset, female, M12, 10-pin, straight, 5m * (homerun) (single power pair)
UX10513	RKC 12T-5/S3477	Connection cordset, female, M12, 12-pin, straight, 5m * (homerun) (dual power pair)
U2-02854	BS 81121-0/PG9	Field-wireable, female, M12, 12-pin, straight, (6-8mm)
A1050	KS 5/10 (10/LABELS)	Labels
U0135-6	PSG 3M-2	Cordset, male, M8, 3-pin, straight, 2m * (I/O port)
U0136-4	PSW 3M-2	Cordset, male, M8, 3-pin, right-angle, 2m * (I/O port)
U6427	PSGM-CC (8/BAG)	Dust cap, male, M8, Plastic, (8/BAG)
A900154	TORQUE-WRENCH-SET-M12&M8-LEGACY	Torque wrench set, Torque driver, torque setting tool, M12 fitting, M8 fitting.
A900101	PICOBOX ADAPTOR PLATE, 4 PORT (1PACK)	Allows new picobox to utilize the previous version mounting hole locations.

\* Other lengths available on request

Circuit Diagram

