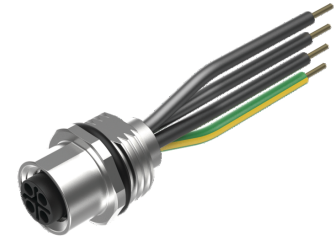
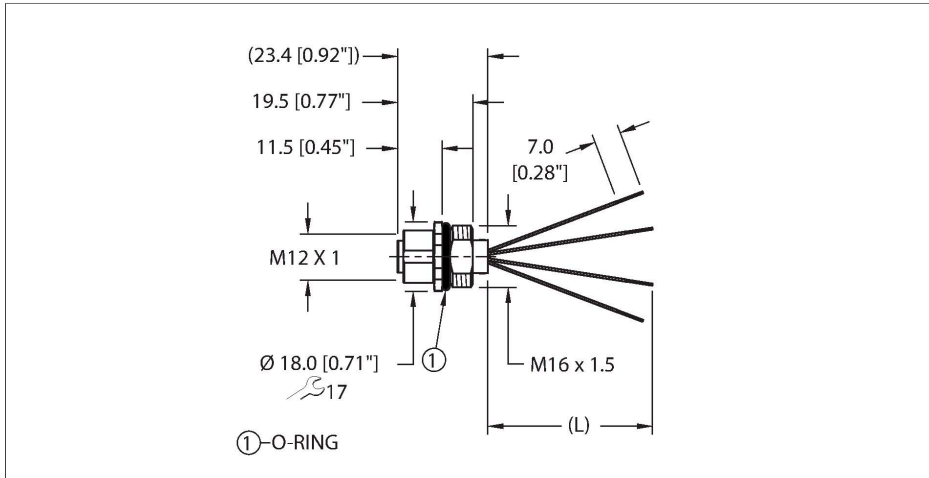


FK46PS-2/M16

M12 Power Flange – Front Mount



Technical data

Type	FK46PS-2/M16
ID	U2-29265
Connector A	Female, M12 × 1, S-code
Design specification	Acc. to IEC 61076-2-111
Number of contacts	3+PE
Contacts	Brass, CuZn, Gold-plated
Contact carriers	Plastic, PA, Black
Connector seal	O-ring, Plastic, FKM/FPM
Housing material/finish	Brass, CuZn, Nickel-plated
Tightening torque (range)	0.4 ... 1 Nm (note max. torque of mating connector!)
Mounting orientation	Front mount
Panel seal	O-ring, NBR
Mounting thread	M16 × 1.5
Receptacle mounting torque	2.5...7.3 Nm
Mechanical life	> 100 Mating cycles
Pollution degree	3
Protection class (When coupled)	IP68
	NEMA: 1, 3, 4, 6P
Conductor data	
Total number of conductors	4
Length (L)	2 m, 2 m, (+50mm or 4% of length/-0.0, Whichever is greater)
Conductor material	TC (tinned copper)

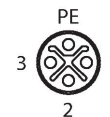
Features



- Female M12 powerfast Receptacle
- M12-Kupplung, S-codiert, 3-polig + PE

Contact assignment

Connector A



Circuit Diagram



Technical data

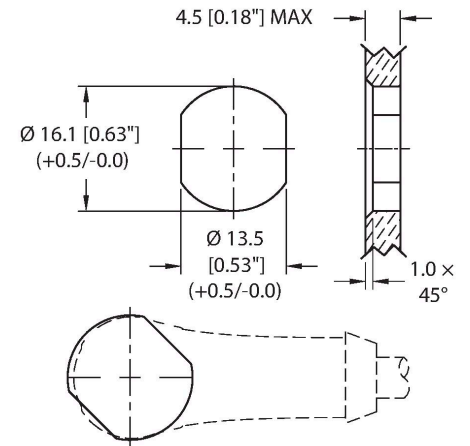
Conductor insulation material	PVC
Conductor size	4 x 16 AWG [Similar to 1.50 mm ²]
Conductor colors	BK1, BK2, BK3, GNYE
Electrical properties at +20 °C	
Rated voltage	630 V
Current	12 A
Mechanical and chemical properties	
Ambient temperature range (static)	-40 °C...+85 °C
Approvals	CE UKCA
Note	

- CAUTION: RISK OF ELECTRICAL SHOCK. DO NOT DISCONNECT UNDER LOAD.

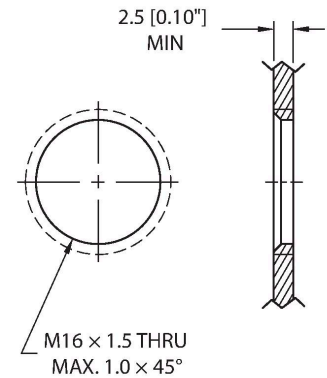
- The standard mating right angled cordset will dress perpendicular to the flats of the mounting hole.

- We reserve the right to make technical alterations without prior notice.

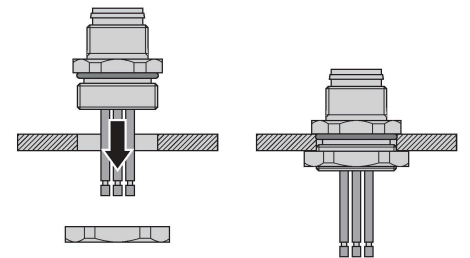
Mounting hole - Through



Mounting hole - Threaded



Front panel mounting



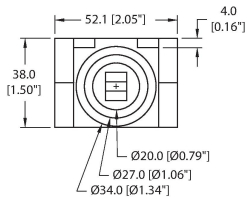
Accessories

DECAL,9-CLRS,RECEPT+BOXES,EURO(QTY1)

100008955



1 decal sticker containing 9 different color sets of 11 decals to color code a sensor, junction block port, cable end, or receptacle. 5ct 4x9mm rectangles, 4ct 8x19mm rectangles, 1ct 27mm ID ring, 1ct 20mm ID ring.



ORING-\text{\O}7x1.5-M12-(10/BAG)

100024937

10 pack of $\text{\O}7 \times 1.5$ FKM O-rings for female M12 connectors

