

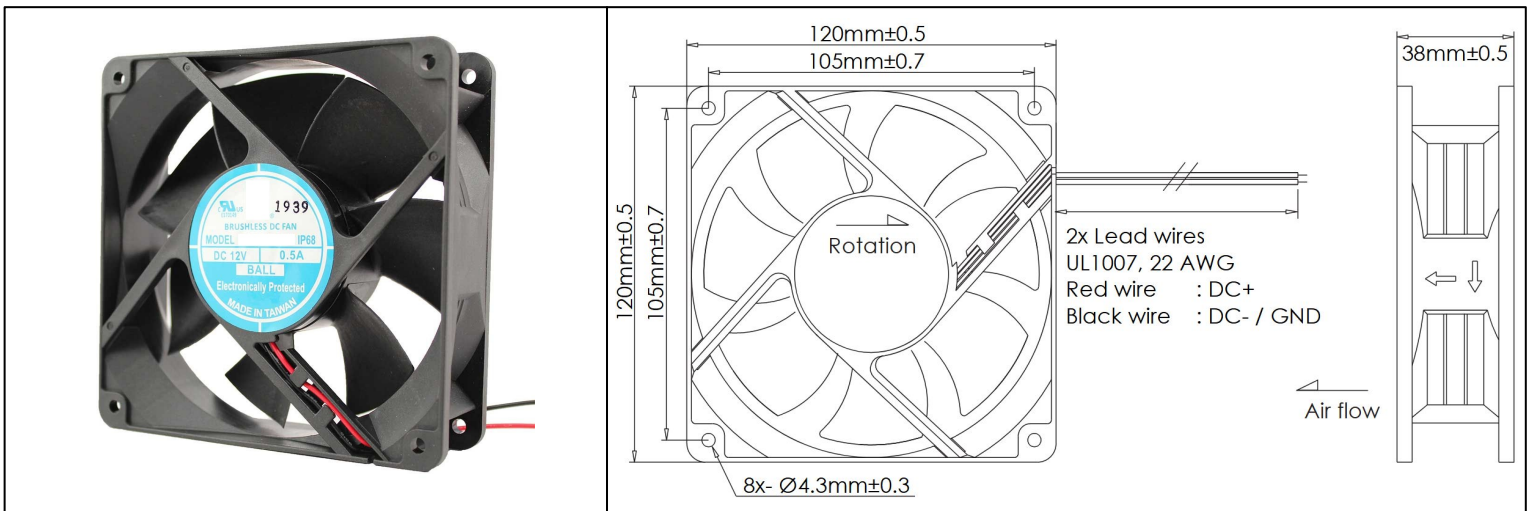


Datasheet

RS PRO DC FAN 120x120x38mm

Stock Number: 230-3037

EN



Frame	PBT, UL94 V-0 Plastic	<p><u>Operating Temperature</u> -15°C ~ +65°C</p> <p><u>Storage Temperature</u> -25°C ~ +70°C</p> <p><u>Life Expectancy</u> 65,000 hours (L10 at 45°C)</p> <p>Weight: 260g (0.57 lbs)</p>	
Impeller	PBT, UL94 V-0 Plastic		
Connection	2x Lead Wires, 22 AWG		
Motor	Brushless DC, Auto Cutoff, Auto Restart, Electronically Protected, IP68		
Bearing System	Dual Ball Bearings		
Dielectric Strength	500VAC/min, <1mA		
Insulation Resistance	≥10M Ohm @ 500 VDC		

Model Number	
Rated Voltage	12 VDC ± 10%
Rated Power (Watts)	6.0 ± 15%
Rated Current (A)	0.5 ± 15%
Rated Speed (RPM)	2900 ± 15%
Airflow (CFM)	124 ± 15%
Noise Level (dB)	44
Max. Static Pressure	0.47" H ₂ O ± 15%