

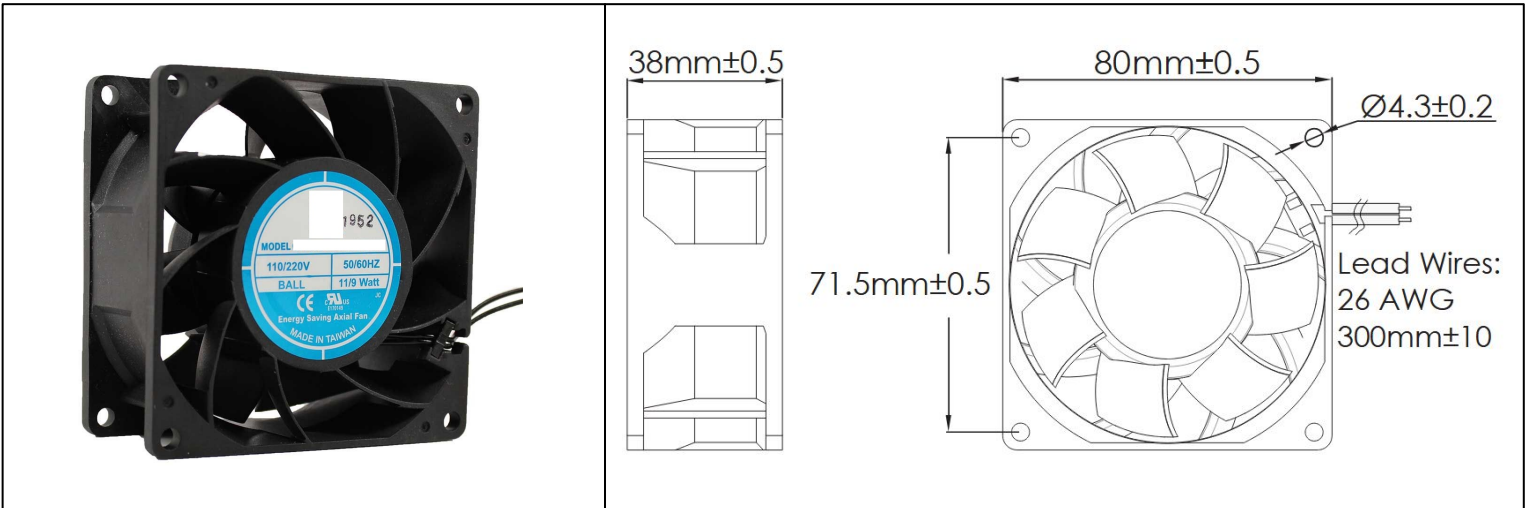


Datasheet

RS PRO EC FAN 80x80x38mm

Stock Number: 230-3033

EN



Frame	PBT, UL94 V-0 Plastic	<u>Operating Temperature</u> -20°C ~ +65°C	
Impeller	PBT, UL94 V-0 Plastic	<u>Storage Temperature</u> -20°C ~ +75°C	
Connection	2x Wire Leads, 26 AWG	<u>Life Expectancy</u> 70,000 hours (L10 at 40°C)	
Motor	Brushless EC, Auto Cutoff, Auto Restart, Electronically Protected, Class A Insulation	Weight: 0.18Kgs (0.39 lbs)	
Bearing System	Dual Ball Bearings		
Dielectric Strength	1500VAC/min, <1mA		
Insulation Resistance	≥10M Ohm @ 500 VDC		

Model Number	
Rated Voltage	90- 265 VAC
Rated Power (Watts)	10 ± 30%
Rated Speed (RPM)	4500 ± 10%
Airflow (CFM)	60 ± 10%
Noise Level (dB)	50
Max. Static Pressure	0.5" H ₂ O ± 10%