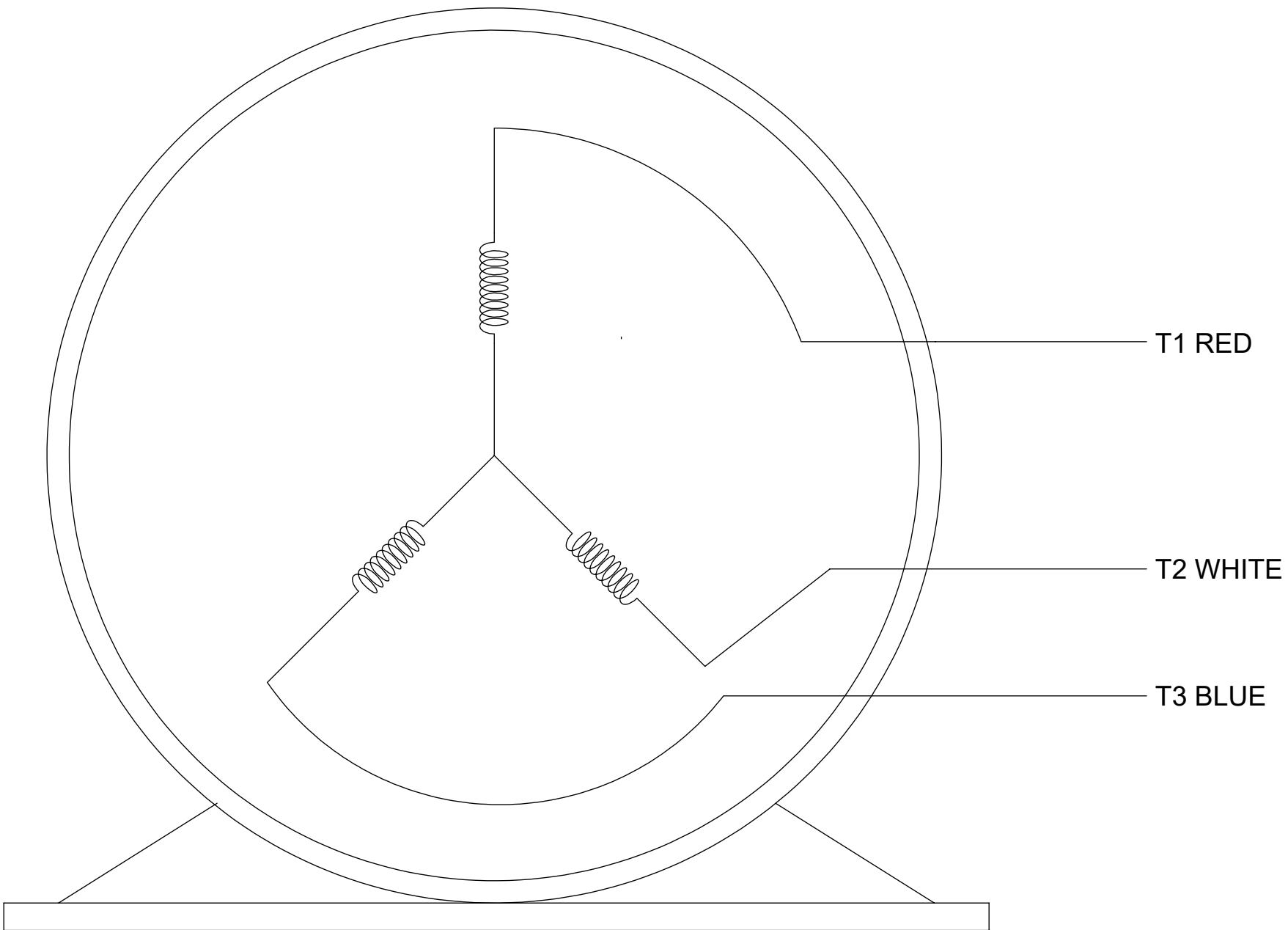


DRAWING REVISION B		REVISION BY SHESHI	DATE 09/10/2019	TOLERANCES UNLESS OTHERWISE SPECIFIED:		DRAWN BY KHADHAR	Regal Beloit America, Inc.
ECO	ECO-0173279	APPROVED BY SN	DATE 09/10/2019	DEC.	INCH mm ANGLE	DATE 03/25/2019	
ECO DESCRIPTION				.X ±0.1 [±2.5] ±0.5° .XX ±0.02 [±0.51] .XXX ±0.005 [±0.127] .XXXX ±0.0005 [±0.0127]		APPROVED BY D. SURYAWANSHI	DESCRIPTION
UPDATED NAMEPLATE NOTE COPYRIGHT REGAL BELOIT AMERICA, INC. ALL RIGHTS RESERVED. PROPRIETARY AND CONFIDENTIAL INFORMATION. THIS DOCUMENT IS THE PROPERTY OF REGAL BELOIT AMERICA, INC. OWNERS AND CONTAINS OWNERS PROPRIETARY INFORMATION. ANY PERSON, CORPORATION OR OTHER FIRM RECEIVING IT IS DEEMED BY RECEIVING IT, TO AGREE THAT IT, AND/OR ANY PART OF IT, SHALL NOT BE DISCLOSED TO ANY PERSON, CORPORATION OR OTHER ENTITY, DUPLICATED, AND/OR USED, EXCEPT AS EXPRESSLY APPROVED IN WRITING IN ADVANCE BY OWNER. THIS DOCUMENT SHALL BE RETURNED TO OWNER UPON REQUEST. IT MAY BE SUBJECT TO CERTAIN RESTRICTIONS UNDER APPLICABLE EXPORT CONTROL LAWS AND REGULATIONS.				REMOVE BURRS & BREAK SHARP EDGES: .0031 [0.0762] X 45° CORNER FILLETS: R.02 [51] MACHINED SURFACES: 125 / 3.2 INCH/ mm SHOWN IN [BRACKETS]		DATE 03/25/2019	OUTLINE
REFERENCE OL56100521				THIRD ANGLE PROJECTION		REFERENCE OL56100521	56FR, DP, 3-PHASE, RIGID
				SIZE C		DRAWING NUMBER	PROCESS/FINISH
						OL56100598-003	
						1 OF 1	

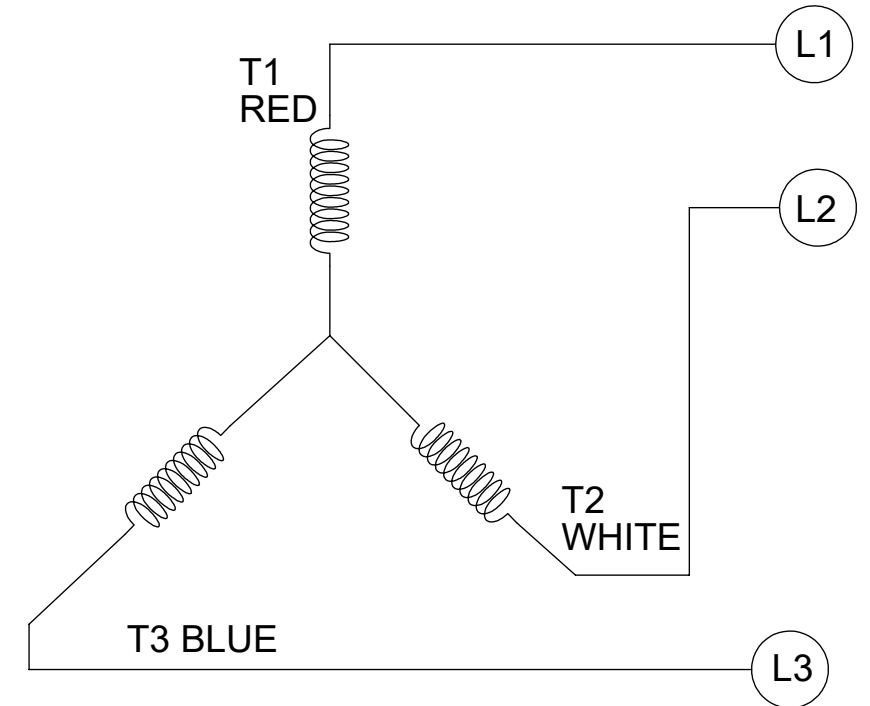
SINGLE VOLTAGE-THREE PHASE WITHOUT PROTECTOR



VIEW OF TERMINAL END

CCW-SINGLE VOLTAGE

001



NOTES:

1. TO REVERSE ROTATION, INTERCHANGE ANY TWO LINE CONNECTIONS TO L1, L2, OR L3.
2. CONNECTION DIAGRAM-NAMEPLATE DD10213-001

DRAWING REVISION B		REVISION BY PRASHANTH		REV DATE/© DATE 06/22/2022		TOLERANCES (EXCEPT AS NOTED): DEC. INCH mm ANGLE		DRAWN BY SHESHI		Regal Beloit America, Inc.	
REQUEST NUMBER NMR-0213855		APPROVED BY BHARGAVI		DATE 06/22/2022		.X ±0.1 [±3] ±0.5° .XX ±0.01 [±0.3] .XXX ±0.005 [±0.13] .XXXX ±0.0005 [±0.013]		DATE 03/07/2019			
REQUEST NUMBER DESCRIPTION CHANGED NOTES FROM LOW TO SINGLE VOLTAGE						REMOVE BURRS & BREAK SHARP EDGES: .003/.015 [.08/.38] X 45° CORNER FILLETS: R.02 [.5] MACHINED SURFACES: 125/3.2 INCH/mm		APPROVED BY BHARGAVI		DESCRIPTION CONN DIAGRAM-EXTERNAL	
COPYRIGHT (PER REVISION DATE) REGAL BELOIT AMERICA, INC. ALL RIGHTS RESERVED. PROPRIETARY AND CONFIDENTIAL INFORMATION - THIS DOCUMENT IS THE PROPERTY OF REGAL BELOIT AMERICA, INC. ("OWNER") AND CONTAINS OWNER'S PROPRIETARY INFORMATION. ANY PERSON, CORPORATION OR OTHER FIRM RECEIVING IT IS DEEMED, BY RECEIVING IT, TO AGREE THAT IT, AND/OR ANY PART OF IT, SHALL NOT BE DISCLOSED TO ANY PERSON, CORPORATION OR OTHER ENTITY, DUPLICATED, AND/OR USED, EXCEPT AS EXPRESSLY APPROVED IN WRITING IN ADVANCE BY OWNER. THIS DOCUMENT SHALL BE RETURNED TO OWNER UPON REQUEST. IT MAY BE SUBJECT TO CERTAIN RESTRICTIONS UNDER APPLICABLE EXPORT CONTROL LAWS AND REGULATIONS.						mm DIMENSIONS IN [BRACKETS] ARE FOR REFERENCE ONLY		DATE 03/07/2019		MATERIAL	
								REFERENCE CDTS139		PROCESS/FINISH	
								THIRD ANGLE PROJECTION		SIZE B	
										DRAWING NUMBER CDTS141	
										SHEET 1 OF 1	

EC Declaration of Conformity

The undersigned representing
the manufacturer:

Regal Beloit America
100 East Randolph St.
Wausau, WI 54401

and the authorized representative
established within the Community:

Marathon Electric UK
6F Thistleton Road Ind. Estate
Market Overton
Oakham, Rutland LE15 7PP UK

are committed to providing customers with products that comply with applicable regulations and international protocols to which they are subject, including the requirements of the European Parliament Directive on the Harmonization of the laws relating to electrical equipment designed for use within certain voltage limits (2014/35/EU).

Regal Beloit America declares that the following product(s), to which this declaration relates, are in conformity with the relevant sections of the EC standards listed below.

This statement supersedes any statements previously issued pertaining to the product(s) listed below and is subject to change without notice.

Model No : 056T17DRR70050A1

(Model No. may contain prefix and/or suffix characters)

Catalog No : G082B

Rework No : N/A

Directives :

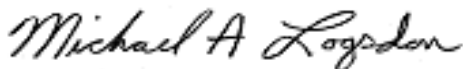
Low Voltage Directive 2014/35/EU

Harmonized Standards Used :

EN 60034-1: 2010 (IEC 60034-1: 2010)

EN 60034-5: 2001/A1:2007 (IEC 60034-5: 2000/A1:2006)

Authorized Representative:



Michael A. Logsdon
Vice President, Technology

Authorized Representative in the Community:



Julian Clark
Marketing Engineer

Created on 09/01/2022

CE 22

MARATHON ELECTRIC CORPORATION

TYPICAL PERFORMANCE CURVE for AC MOTOR

Customer

Curve at

208

Volts

HP 0.75

PHASE 3

Model No 56T17DRR70050A1

60

HZ

VOLTS 208

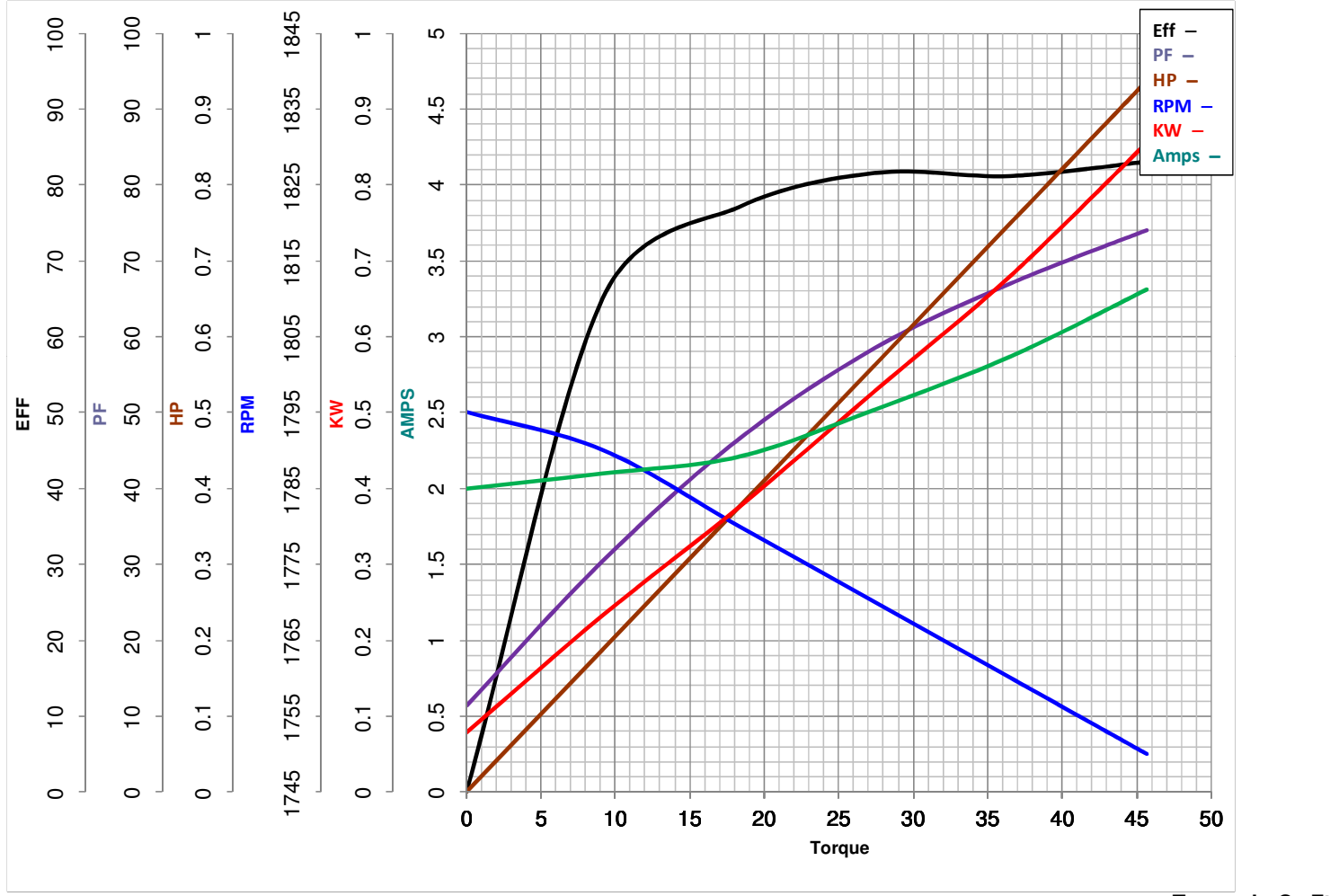
0.75

HP

Catalog No G082A

HZ 60

RPM 1725



Torque in Oz.Ft

FL TORQUE 36.5 Oz.Ft
 BD TORQUE 199.5 Oz.Ft
 LR TORQUE 149 Oz.Ft

FL AMPS 2.9
 PU TORQUE 144.8 Oz.Ft
 LR AMPS 24.9

WINDING NT56469-6

Prepared By BHARGAVI

Date 3/19/2019