



[View on TE.com >](#)

Application Tooling > Hand Crimping Tools



Tool Grade: **Commercial Crimp Tooling**  
 Die Sets Type: **Removable/Interchangeable**  
 Specification Type: **TE Product Specification (114-)**  
 TE Certification: **Cannot be Certified**  
 Tooling Type: **SDE Crimp Die Set**

### Features

#### Other

|                             |                                 |
|-----------------------------|---------------------------------|
| Crimp Form-Wire Barrel Type | Open Barrel - F Crimp           |
| Tool Grade                  | Commercial Crimp Tooling        |
| Die Sets Type               | Removable/Interchangeable       |
| Specification Type          | TE Product Specification (114-) |
| TE Certification            | Cannot be Certified             |
| Tooling Type                | SDE Crimp Die Set               |

### Product Compliance

[For compliance documentation, visit the product page on TE.com>](#)

|   |  |
|---|--|
| EU RoHS Directive 2011/65/EU                  | Out of Scope   |
| EU ELV Directive 2000/53/EC                   | Out of Scope   |
| China RoHS 2 Directive MIIT Order No 32, 2016 | No Restricted Materials Above Threshold                          |
| EU REACH Regulation (EC) No. 1907/2006        | Current ECHA Candidate List: JUNE 2022 (224)<br>Not Yet Reviewed |
| Halogen Content                               | Not Yet Reviewed for halogen content                             |



Solder Process Capability

Not applicable for solder process capability

Product Compliance Disclaimer

This information is provided based on reasonable inquiry of our suppliers and represents our current actual knowledge based on the information they provided. This information is subject to change. The part numbers that TE has identified as EU RoHS compliant have a maximum concentration of 0.1% by weight in homogenous materials for lead, hexavalent chromium, mercury, PBB, PBDE, DBP, BBP, DEHP, DIBP, and 0.01% for cadmium, or qualify for an exemption to these limits as defined in the Annexes of Directive 2011/65/EU (RoHS2). Finished electrical and electronic equipment products will be CE marked as required by Directive 2011/65/EU. Components may not be CE marked. Additionally, the part numbers that TE has identified as EU ELV compliant have a maximum concentration of 0.1% by weight in homogenous materials for lead, hexavalent chromium, and mercury, and 0.01% for cadmium, or qualify for an exemption to these limits as defined in the Annexes of Directive 2000/53/EC (ELV). Regarding the REACH Regulation, the information TE provides on SVHC in articles for this part number is based on the latest European Chemicals Agency (ECHA) 'Guidance on requirements for substances in articles' posted at this URL: <https://echa.europa.eu/guidance-documents/guidance-on-reach>

## Compatible Parts



TE Part # CAT-AM705-T273  
 AMP MCP, RECEPTACLE AND TAB



TE Part # 2391789-1  
 SDE F AMP MCP 0.50-1.00mm2 ASSY



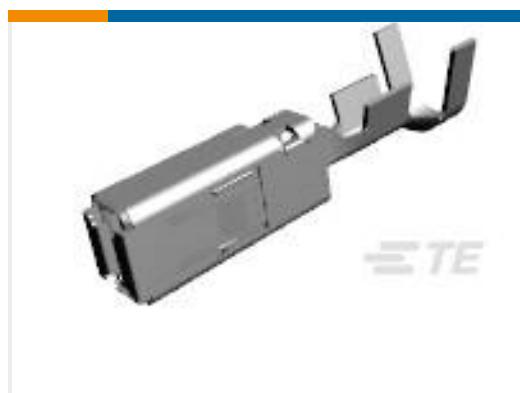
TE Part # 1241395-1  
 AMP MCP 2.8K, CONTACT, SWS, (LP)



TE Part # 1241395-3  
 AMP MCP 2.8K, CONTACT, SWS, (LP)



TE Part # 2362810-1  
 SDE CRIMP HAND TOOL FRAME W /O DIES



TE Part # 1241395-2  
 MCP2.8 SOCKET CONTACT SWS

## Documents

### Datasheets & Catalog Pages

#### Bottoming Dies

English

#### SDE Crimp Commercial Tool System

English

### Instruction Sheets

#### Instruction Sheet (U.S.)

English