

# PROCENTEC



## Repeater B1

Installation manual

# Content

- 1. Introduction..... 3
- 2. Installation instructions ..... 4
- 3. Power supply ..... 5
- 4. PROFIBUS..... 5
- 5. Other PROCENTEC products..... 9
- 6. Sales offices and distributors..... 11
- 7. About PROCENTEC..... 16

# 1. Introduction

**The compact PROFIBUS DP Repeater B1 offers an economic alternative and tackles the technological limitations of the existing repeaters. This first-class network component fulfils the electrical, mechanical and diagnostic requirements of the demanding modern industry.**

The advanced 12 Mbps core of the B1 is identical to the ProfiHub; it can be cascaded unlimitedly and is equipped with the latest isolated RS 485 interface. The data is constantly monitored for glitches which are digitally filtered out. Every channel has on-board switchable termination and can drive 31 devices.

The removable screw terminals of the PROFIBUS interface are pinned-out in a way that reversal mounting does not impact existing wiring. A DB9 connector is provided for ProfiTrace or other maintenance/engineering tools.

The power supply is redundant which makes it suitable for applications in which high availability is required and consumes relatively low power which helps the environment.

## 2. Installation instructions

### Location

The B1 can be installed everywhere in a non-hazardous area that complies with IP 20 (DIN 40 050) and the specified temperature range of -20 to +60 ° Celsius.

### Position

The B1 can be installed in every position, but it is recommended to install it with Channel 2 pointing down. In this position it is easier to read the status display and to perform measurements on the DB9 connector.

### Mounting and dismounting

The B1 has to be mounted on a 35 mm DIN-rail with a minimum width of 60 mm. Fig. 1 and Fig. 2 illustrate how to mount and dismount the B1 on and from the DIN-rail.

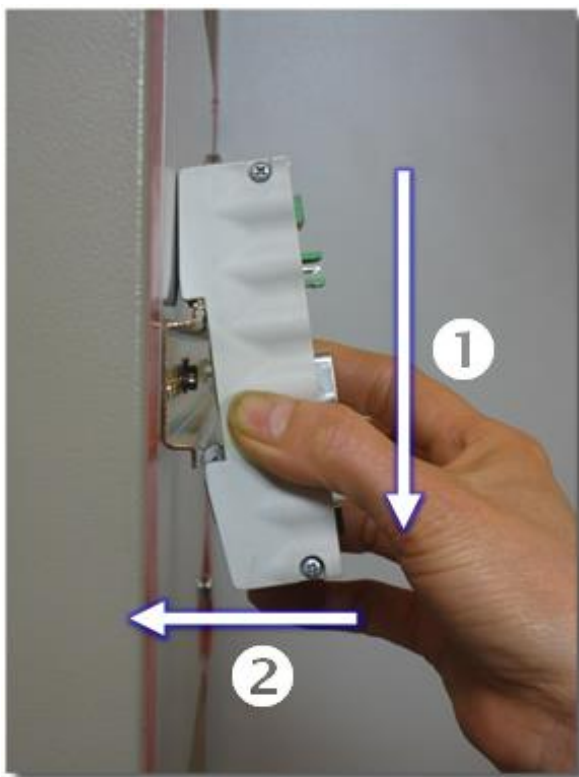


Fig. 1 Mounting; pull-down and push

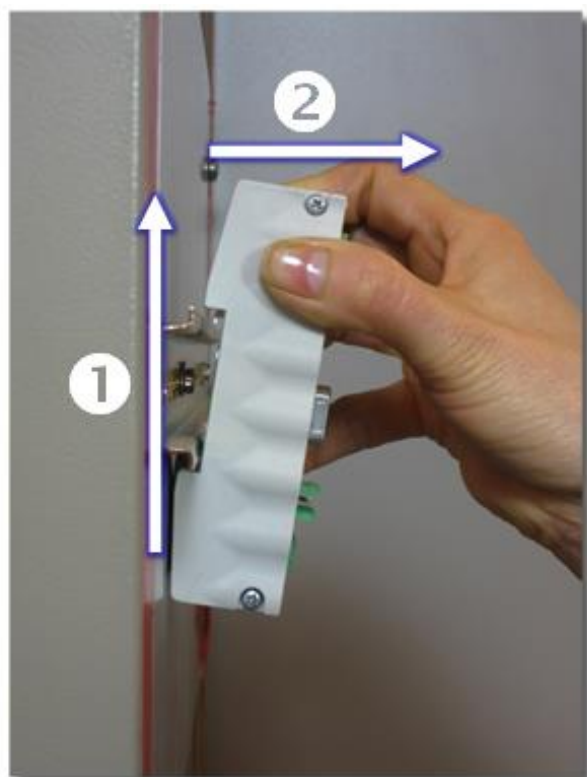


Fig. 2 Dismounting; Push-up and pull

### 3. Power supply

#### Parameters

The power supply has to comply with the following specifications:

Voltage: **19 to 28 Vdc**

Current: **Min. 65 mA**

#### Wiring

The leads of both power connectors have to be wired as follows:

“+” = Positive Voltage

“-” = 0 V

SH = Earth

#### Redundancy

Both power connectors are linked 1-on-1 to the internal power supply of the B1. If 1 power supply would fail, the other takes over without delay time. When redundancy is not required, it is sufficient to use 1 power connector. When the B1 is flipped 180°, the connectors can be used without alteration. Fig. 3 illustrates the location of the power supply connectors.

### 4. PROFIBUS

#### Connectors

Each channel has 2 connectors (IN and OUT). They are both linked 1-on-1 when the termination is OFF.

When a channel of the repeater is NOT the last device on the segment, it doesn't matter which connector is utilized.

**When the termination is ON the OUT connector is NOT connected.**

When the B1 is flipped 180°, the wired connectors can be used without alteration.

#### Pin layout

Pin “A1/2”: Green wire

Pin “B1/2”: Red wire

Pin “SH”: Cable shielding

#### Termination

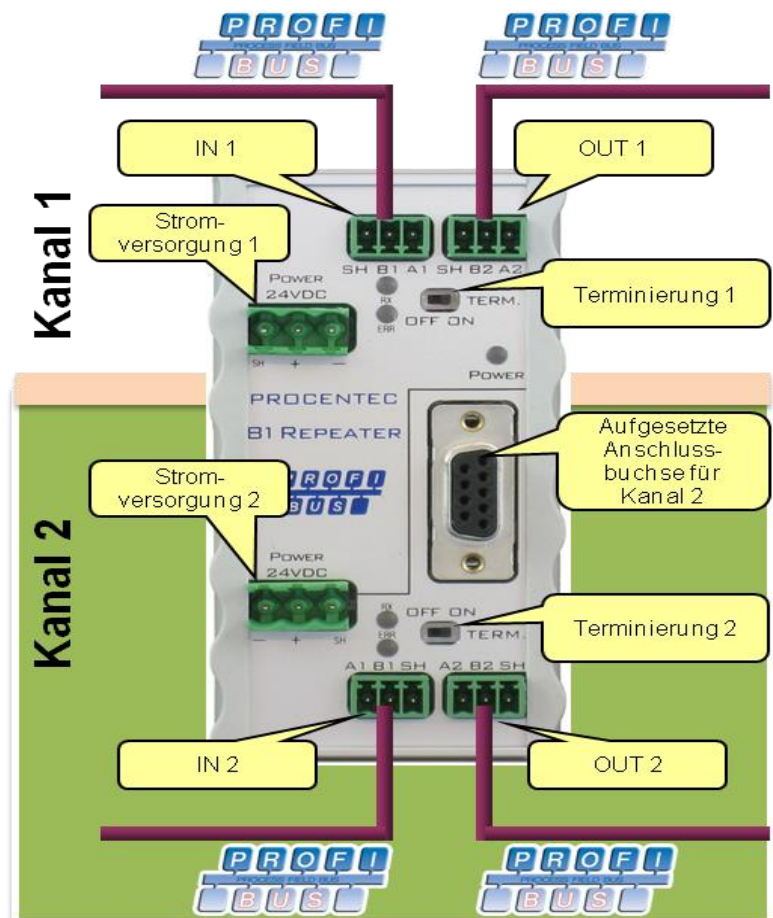


Fig. 3 Structures of the B1

Each channel has its own termination which can be switched ON/OFF.

### Piggy back connector

The piggy back connector is 1-on-1 with channel 2.



### Ground Clip

It is recommended to use the supplied GC-01 ground clip to attach the cable shield to the screw connector, as shown in fig. 4, for easier shield connection and better strain relief.

The Ground Clip GC-01 can be ordered separately per 25pcs with order code: **101-00201B**.

Fig. 4 Using the Ground Clip

### Diagnose-LEDs

	OFF	Blinking	ON
<b>POWER</b>	☹️ Power is OFF or an internal failure.	⚠️ Power supply not stable or an internal failure.	😊 Power supply OK.
<b>RX</b>	☹️ No communication detected (this Channel).	😊 1 or more devices communicating (this Channel).	😊 1 or more devices communicating (this Channel).
<b>ERR</b>	😊 No problem has been detected.	⚠️ Communication problem (this Channel).	⚠️ Communication problem (this Channel).

### Technical Data Compact PROFIBUS DP Repeater B1

#### Dimensions and weight

#### Dimensions L x W x H (mm)

106 x 55 x 33 mm (without plugs)

106 x 55 x 55 mm (with plugs)

#### Weight

Approximately 125 g

<b>Ambient conditions</b>	
<b>Operating temperature</b>	-20 to +60° Celsius
<b>Isolation class</b>	IP 20 (DIN 40 050)

<b>Protocol specifications</b>	
<b>Supported Protocols</b>	DP-V0, DP- V1, DP-V2, FDL, MPI, FMS, PROFIsafe, PROFIdrive and any other FDL based protocol.
<b>Transmission speed</b>	9,6 kbps to 12 Mbps (including 45,45 kbps)
<b>Transmission speed detection</b>	Auto detect
<b>Transmission speed detection time</b>	< 10 s
<b>Data delay time</b>	1,5 TBit at 9,6 kbps to 3 Mbps 2,5 TBit at 6 Mbps 3,5 TBit at 12 Mbps
<b>Delay time jitter</b>	Max. ¼ bit time
<b>PROFIBUS cable specifications</b>	
<b>Cable lengths</b>	1200 m at 9,6 kbps to 93,75 kbps 1000 m at 187,5 kbps 400 m at 500 kbps 200 m at 1,5 Mbps 100 m at 3 Mbps to 12 Mbps
<b>Wire diameter</b>	< 2,5 mm <sup>2</sup>
<b>Wire type</b>	Stranded or Solid core
<b>Number of devices</b>	Max. 31 per channel (including ProfiHubs, OLMs, PCs, etc.)
<b>Termination</b>	Integrated and switchable. Powered according to IEC 61158 (390/220/390 Ohms)
<b>Cascading depth</b>	No limits
<b>Power supply specifications</b>	
<b>Nominal supply voltage</b>	19 to 28 Vdc
<b>Current consumption</b>	65 mA at 24 Vdc
<b>Power dissipation</b>	Max. 2 W
<b>Redundancy</b>	Yes (Power 1 <u>OR</u> Power 2)

<b>Power LED</b>	Power 1 <u>OR</u> Power 2
<b>Reverse polarity protection</b>	Yes
<b>Wire diameter</b>	< 2,5 mm <sup>2</sup>



## 5. Other PROCENTEC products

### PROFINET Cable Tester

- Suitable for 4- and 8-wire PROFINET and regular Ethernet cables
- Suitable for straight and 90°, metal or plastic PROFINET plugs
- Tests cable shielding
- Detects short circuits, wire breaks, swaps, miswiring and split pairs
- Large LCD clearly indicates the test results
- 150 hours on one 9 V battery
- Operating temperature: 0 to 50 °C
- Just 1-key-press to start continuous testing
- It can also test telephone and coax cable



[www.profinetcabletester.com](http://www.profinetcabletester.com)

### Compact PROFIBUS Repeater

- Single channel PROFIBUS repeater
- Transparent
- Increased signal strength
- 12 Mbps
- Auto baudrate detection
- Redundant power supply
- Digital glitch filtering
- No limit in cascading
- Integrated switchable termination
- Diagnostic LEDs
- DB9 connector for measurements
- **IP 20 with DIN-rail mounting**



[www.procentec.com/profihub/b1/en](http://www.procentec.com/profihub/b1/en)

## ProfiHub B5+R

- 6 galvanically isolated channels
- Configurable grounding system
- Redundant power supply
- Bus redundancy option
- Star, tree and bus structured networks
- Alarm contact
- Monitoring port per channel
- IP20
- Certifications: UL Listed, DNV, FCC, CE

[www.procentec.com/products/profihub](http://www.procentec.com/products/profihub)



## ProfiHub A5

- 5 Isolated channels
- Transparent
- Increased signal strength
- 31 devices per channel
- 12 Mbps
- 1200 m spur line length
- No address required
- Integrated switchable termination
- IP 65 classification

[www.procentec.com/profihub](http://www.procentec.com/profihub)



The productname (for example ProfiHub A5) has its own style: 1B Productname. The properties of this style are the same as those of the style '1 Paragraph' with the distinction that the productname will not appear in the content.

## 6. Sales offices and distributors

### HEADQUARTERS

**PROCENTEC**  
Klopperman 16  
2292 JD WATERINGEN  
Netherlands

T: +31 (0)174 671 800  
F: +31 (0)174 671 801  
E: [info@procentec.com](mailto:info@procentec.com)  
W: [www.procentec.com](http://www.procentec.com)

### ARGENTINA

**eFALCOM**  
Alcorta 2411  
B1744 - Moreno  
Buenos Aires  
Argentina

T: +54 237 46 31 151  
F: +54 237 46 31 150  
E: [santiago.falcomer@efalcom.com](mailto:santiago.falcomer@efalcom.com)  
W: [www.efalcom.com](http://www.efalcom.com)

### AUSTRIA

**RELISTE**  
Enzersdorfer Straße 8-10  
A-2345 Brunn am Gebirge  
Austria

T: +43 2236 315 25-25  
F: +43 2236 315 25-60  
E: [office@reliste.at](mailto:office@reliste.at)  
W: [www.relise.at](http://www.relise.at)

### AUSTRALIA

**IS Systems Pty Limited**  
14 Laverick Ave.,  
Tomago  
NSW, Australia, 2322

T: +61 2 4964 8548  
F: +61 2 4964 8877  
E: [fritz.woller@issystems.com.au](mailto:fritz.woller@issystems.com.au)  
W: [www.issystems.com.au](http://www.issystems.com.au)

**Pentair Flow Control Pacific**  
1 Percival Road  
Smithfield  
NSW, Australia, 2164

T: +61 2 4448 0466  
F: +61 2 4423 3232  
E: [sharee.hazell@pentair.com.au](mailto:sharee.hazell@pentair.com.au)  
W: [www.profibuscentre.com.au](http://www.profibuscentre.com.au)

### BELGIUM and LUXEMBOURG

**Bintz Technics N.V.**  
Brixtonlaan 23  
B-1930 Zaventem  
Belgium

T: +32 2 720 49 16  
F: +32 2 720 37 50  
E: [bloemen@bintz.be](mailto:bloemen@bintz.be)  
W: [www.bintz.be](http://www.bintz.be)

### BRAZIL

**Westcon Instrument. Indl Ltda**  
Rual Alvaro Rodrigues, 257  
São Paulo – SP  
Brazil - CEP 04582-000

T: +55 11 5561-7488  
F: +55 11 5093-2592  
E: [paolo@wii.com.br](mailto:paolo@wii.com.br)  
W: [www.wii.com.br](http://www.wii.com.br)

### CANADA

**Streamline Process Management Inc.**  
#3, 4351 – 104 Ave SE  
Calgary, Alberta T2C 5C6  
Canada

T: +1 403 225 1986  
F: +1 587 585 2828  
E: [admin@streamlinepm.com](mailto:admin@streamlinepm.com)  
W: [www.streamlinepm.com](http://www.streamlinepm.com)

### CHILE

**RP Ingeniería Limitada**  
Tucapel 92 oficina 52  
Concepción  
Chile

T: +56 41 246 93 50  
F: +56 41 252 25 92  
E: [rodrigopinto@rpingeneria.cl](mailto:rodrigopinto@rpingeneria.cl)  
W: [www.rpingeneria.cl](http://www.rpingeneria.cl)

### CHINA

**PROCENTEC Beijing**  
Room E-1115 WangJingYuan YouLeHui  
ChaoYang  
Beijing  
China

T: +86 (10)847 669 11 / +86 (10) 847 873 11  
F: +86 (10)847 667 22  
E: [info@procentec.net](mailto:info@procentec.net)  
W: [www.procentec.net](http://www.procentec.net)

### CZECH REPUBLIC

**FOXON s.r.o.**  
Polní 367  
460 01 Liberec 12  
Czech Republic

T: +420 484 845 555  
F: +420 484 845 556  
E: [foxon@foxon.cz](mailto:foxon@foxon.cz)  
W: [www.foxon.cz](http://www.foxon.cz)

**DENMARK**

**ProSaiCon**  
Jernbanegade 23B  
DK 4000 Roskilde  
Denmark

T: +45 70 20 52 01  
F: +45 70 20 52 02  
E: hfj@prosaicon.dk  
W: www.prosaicon.dk

**EGYPT**

**Mas Trading**  
37, 105 Street  
Al-Etihad Square  
Egypt

T: +2 02 2524 2842  
F: +2 02 2524 2843  
E: aya.elshafei@masautomation.com  
W: www.masautomation.com

**ESTONIA**

**Saksa Automaatika OU**  
Peterburi Tee 49  
Tallinn  
EE-11415 Estonia

T: +372 605 2526  
F: +372 605 2524  
E: info@saksa-automaatika.ee  
W: www.saksa-automaatika.ee

**FINLAND**

**Hantekno Oy**  
Kalliotie 2  
04360 Tuusula  
Finland

T: +358 40 8222 014  
E: info@hantekno.com  
W: www.hantekno.fi

**FRANCE**

**AGILICOM**  
Bâtiment B  
1, rue de la Briaudière  
Z.A. La Châtaigneraie  
37510 BALLAN-MIRE  
France

T: +33 247 76 10 20  
F: +33 247 37 95 54  
E: jy.bois@agilicom.fr  
W: www.agilicom.fr

**GERMANY**

**PROCENTEC GmbH**  
Benzstrasse 15  
D-76185 Karlsruhe  
Germany

T: +49 721 831 663-0  
F: +49 721 831 663-29  
E: info@procentec.de  
W: www.procentec.de

**INDIA**

**UL Engineering Services & Software Pvt Ltd**  
Nirman Classic,  
Katraj-Kondhwa Road,  
Katraj, Pune-411046  
India

T: +91 202 696 0050  
F: +91 202 696 2079  
E: dileep.miskin@ulepl.com  
W: www.ulepl.com

**Automation Combine**  
B.R. House 4<sup>th</sup> Floor,  
Hennur Main Road  
Bangalore 560043  
India

T: +98 452 84 550 / +98 452 030 47  
F: +93 421 375 34 / +93 425 002 90  
E: info@automationcombine.com  
W: www.automationcombine.in

**IRELAND**

**PROFIBUS Ireland**  
Automation Research Centre  
University of Limerick  
National Technology Park, Plassey  
Limerick  
Ireland

T: +353 61 202 107 or +353 61 240 240  
F: +353 61 202 582  
E: info@profibus.ie  
W: www.profibus.ie

**ISRAEL**

**Instrumentics Industrial Control**  
8 Hamlacha St.  
New Industrial Zone  
Netanya, 42170  
Israel

T: +972 9 835 70 90  
F: +972 9 835 06 19  
E: info@instrumentics-ic.co.il  
W: www.inst-ic.co.il

**ITALY**

**PROCENTEC Italy**  
Via Branze n. 43/45  
25123 Brescia  
Italy

T: +39 030 200 8610  
F: +39 030 238 0059  
E: www.procentec.it  
W: www.procentec.it

## JAPAN

**TJ Group**  
C/O Japanese PROFIBUS Organisation  
West World Building 4F  
3-1-6 Higashi-Gotanda,  
Shinagawa-ku,  
Tokyo, 141-0022  
Japan

T: +81 3 6450 3739  
F: +81 3 6450 3739  
E: info@profibus.jp

## KOREA

**Hi-PRO Tech. Co., Ltd.**  
#2802, U-Tower, 1029  
Youngduk-dong, Giheung-gu  
Yongin-Si, Kyunggi-do,  
446-908 Korea

T: +82 82 31 216 2640  
F: +82 82 31 216 2644  
E: chays@hiprotech.co.kr  
W: www.profibus.co.kr

## LEBANON

**Industrial Technologies S.A.L. (ITEC)**  
Point Center, Boulevard Fouad Chehab  
Sin El Fil  
Beirut  
Lebanon

T: +961 1 491161  
F: +961 1 491162  
E: sales@iteclb.com  
W: www.iteclb.com

## MEXICO

**Grid Connect Inc.**

T: +1 530 219 2565 (Spanish)  
E: tomf@gridconnect.com  
W: www.gridconnect.com

## NETHERLANDS

**PROCENTEC B.V.**  
Klopperman 16  
2292 JD Wateringen  
Netherlands

T: +31 (0)174 671 800  
F: +31 (0)174 671 801  
E: info@procentec.com  
W: www.procentec.com

## NORWAY

**Nortelco Automation AS**  
Johan Scharffenbergs vei 95  
N-0694 Oslo  
Norway

T: +47 22 57 61 00  
E: post@nortelcoautomation.no  
I: www.nortelcoautomation.no

## PERU

**ControlWare**  
Jr. Los Silicios 5409  
Los Olivos - L39  
Peru

T: +51 163 737 35  
F: +51 152 804 54  
E: info@controlware.com.pe  
W: www.controlware.com.pe

## POLAND

**INTEX Sp. z o.o.**  
ul. Portowa 4  
44-102 Gliwice  
Poland

T: +48 32 230 75 16  
F: +48 32 230 75 17  
E: intex@intex.com.pl  
W: www.intex.com.pl

## PORTUGAL

**IndustrialSys**  
Rua Alexandre Herculano 25  
Mangualde, 3530-144  
Portugal

T: +351 96 716 16 05  
E: info@industrialsys.pt  
W: www.industrialsys.pt

## ROMANIA

**S.C. SVT Electronics S.R.L.**  
Brăila 7  
540331 Tg-Mure  
Romania

T: + 40 744 383 666  
F: +40 365 809 305  
E: sajgo.tibor@svt.ro  
W: www.svt.ro

## SAUDI ARABIA

**ASM Process Automation**  
Al-Zahra Dist. – Attas st.  
cross section with helmy Kutby St.  
Villa no.25  
Jeddah-21553  
Saudi Arabia

T: +966 2 691 27 41  
F: +966 2 682 89 43  
E: info@asmeestablishment.com  
W: www.asmeestablishment.com

**SINGAPORE / SOUTH EAST ASIA**

**Allegro Electronics**  
236 Serangoon Avenue 3 07-98  
Singapore 550236

T: +65 628 780 63  
E: sales@allegro.com.sg  
W: www.allegro.com.sg

**SLOVAKIA**

**ControlSystem s.r.o.**  
Stúrova 4  
977 01 BREZNO  
Slovakia

T: +421 486 115 900  
F: +421 486 111 891  
E: jan.snopko@controlsystem.sk  
W: www.controlsystem.sk

**SOUTH AFRICA**

**IDX ONLINE CC**  
1 Weaver Street  
Fourways  
Johannesburg  
South Africa - 2191

T: +27 (11) 548 9960  
F: +27 (11) 465 8890  
E: sales@idxonline.com  
W: www.idxonline.com

**SPAIN**

**LOGITEK, S.A**  
Ctra. de Sant Cugat, 63 Esc. B Planta 1ª  
Rubí (BARCELONA), 08191  
Spain

T: +34 93 588 67 67  
E: xavier.cardena@logitek.es  
W: www.logitek.es

**SWEDEN**

**P&L Nordic AB**  
Box 252  
S-281 23 Hässleholm  
Sweden

T: +46 451 74 44 00  
E: hans.maunsbach@pol.se  
W: www.pol.se/profibus

**SWITZERLAND**

**Berner Fachhochschule  
PROFIBUS Kompetenzzentrum**  
Jlcoweg 1  
CH-3400 Burgdorf  
Switzerland

T: +41 (0) 34 426 68 32  
F: +41 (0) 34 426 68 13  
E: max.felser@bfh.ch  
W: www.profitrace.ch

**TAIWAN**

**Full Data Technology**  
6F., No.200, Gangqian Rd.  
Neihu District, Taipei City  
114, Taiwan

T: +886 2 8751 99 41/90 97  
F: +886 2 8751 95 33  
E: sales@fulldata.com.tw  
W: www.fulldata.com.tw

**TURKEY**

**Emikon Otomasyon**  
DES Sanayi sitesi 103 sokak  
B-7 blok No:16 Yukari Dudullu / Umraniye  
Istanbul 34776  
Turkey

T: +90 216 420 83 47  
F: +90 216 420 83 48  
E: tolgaturunz@emikonotomasyon.com  
W: www.emikonotomasyon.com

**UNITED ARAB EMIRATES**

**Synergy Controls**  
907, IT Plaza Silicon Oasis :  
Dubail  
United Arab Emirates

T: +971 4 326 26 92  
F: +971 4 326 26 93  
E: sales@synergycontrols.ae

**UNITED KINGDOM and N. Ireland**

**Verwer Training & Consultancy**  
5 Barclay Road  
Poynton, Stockport  
Cheshire SK12 1YY  
United Kingdom

T: +44 (0)1625 871 199  
E: andy@verwertraining.com  
I: www.verwertraining.com

**Hi-Port Controls**  
The Hub 2 Martin Close  
Lee-on-Solent  
Hampshire PO13 8LG  
United Kingdom

T: +44 (0)8452 902 030  
F: +44 (0)2392 552 880  
E: sales@hiport.co.uk  
W: www.hiport.co.uk

**iTech**  
Unit 1  
Dukes Road  
Troon  
Ayrshire KA10 6QR  
United Kingdom

**T:** +44 (0)1292 311 613  
**F:** +44 (0)1292 311 578  
**E:** sales@itech-troon.co.uk  
**W:** www.itech-troon.co.uk

**Parkelect Ltd.**  
84 Dargan Road  
Belfast  
BT3 9JU  
N. Ireland

**T:** +44 2890 777 743  
**F:** +44 2890 777 794  
**E:** jgillan@parkelect.co.uk  
**W:** www.parkelect.co.uk

#### UNITED STATES

**Grid Connect Inc.**  
1630 W. Diehl Road  
Naperville, Illinois 60563  
USA

**T:** +1 630 245 14 45  
**F:** +1 630 245 17 17  
**E:** sales@gridconnect.com  
**W:** www.gridconnect.com/procentec.html

#### VIETNAM

**Bavitech Corporation**  
42 Truong Son Street  
Ward 2, Tan Binh District  
Ho Chi Minh City  
Vietnam

**T:** +84-8-3547 09 76  
**F:** +84-8-3547 09 77  
**E:** hai.hoang@bavitech.com  
**W:** www.bavitech.com

For the complete list of our Sales Offices and Distributors see [www.procentec.com/company/distributors](http://www.procentec.com/company/distributors).

If your country or region is not listed, please contact us. We are still searching for distributors who can cover complete areas or countries.



## 7. About PROCENTEC

**PROCENTEC is a specialist in PROFIBUS and PROFINET technology and develops products to optimize the production processes of end users. Our innovative solutions ensure that our customers successfully operate in the world of industrial automation and enjoy maximum results from their process.**

PROCENTEC globally supplies all the components required to install a measurable and steerable network. We develop and produce all products in the Netherlands and they are exported through our worldwide distribution network. At PROCENTEC, we have a professional team of qualified support engineers who provide technical support on-site and online. Our professionals have more than 20 years of experience with PROFIBUS and PROFINET technology. They provide the necessary support to end users during implementation procedures, certification processes, audits and malfunctions. PROCENTEC also is an international accredited Competence and Training centre for PROFIBUS and PROFINET. We provide training courses that help employees using those techniques optimally for their business objectives

### Products

- ProfiTrace
- ComBricks
- ProfiHub
- PROFINET tools
- Cables & Connectors

### Services

- On-site & Online Support
- Network Audit
- Network Certification
- Consultancy
- Testlab & Democenter
- Competence Center

### Training

- PROFIBUS training courses
- PROFINET training courses
- Product training courses





PROCENTEC BV  
Klopperman 16  
2292 JD Wateringen  
The Netherlands

T: +31 (0)174 671 800

F: +31 (0)174 671 801

E: [support@procentec.com](mailto:support@procentec.com)

W: [www.procentec.com](http://www.procentec.com)

